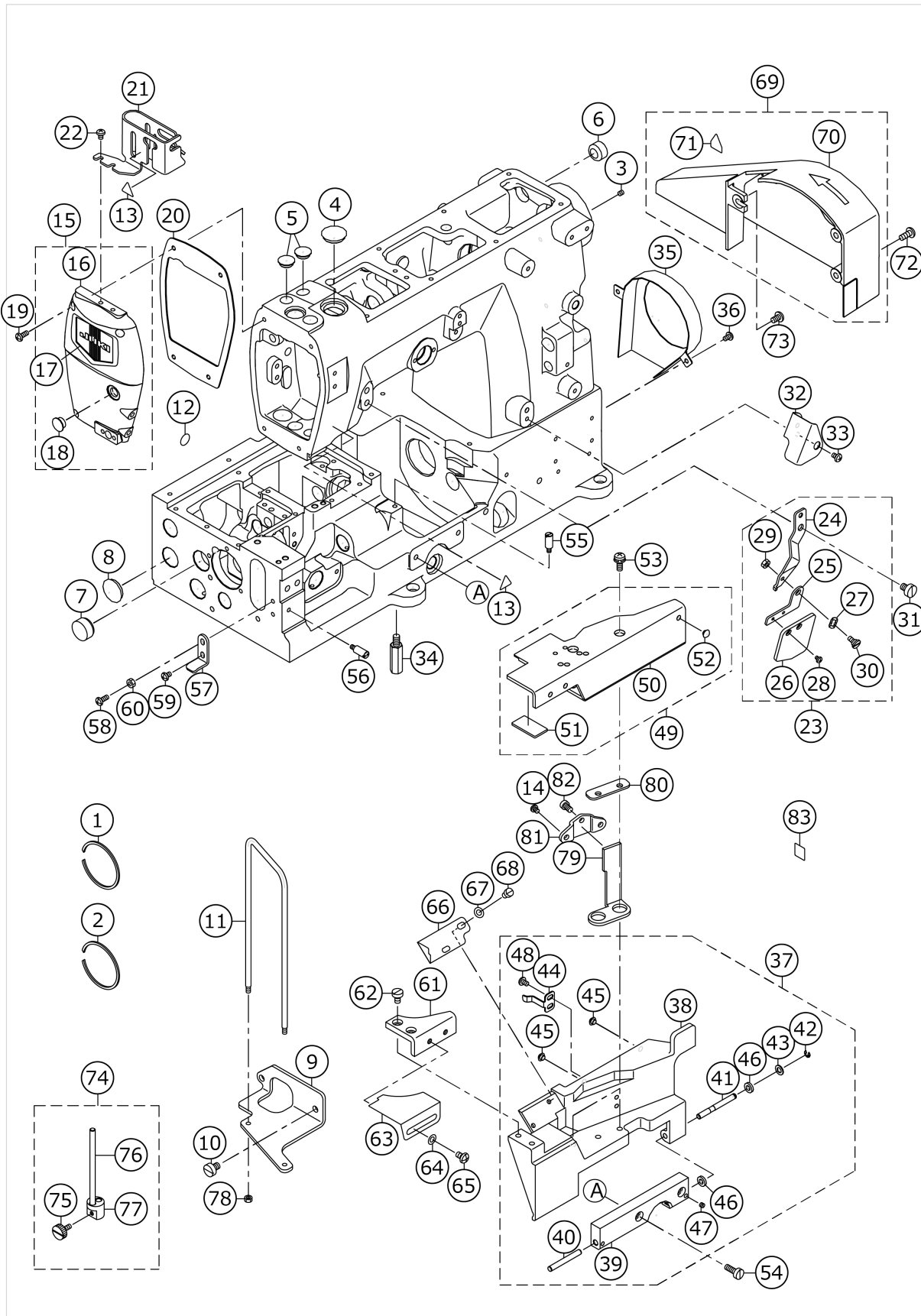


MF-7700D

FRAME & MISCELLANEOUS COVER COMPONENTS (1)

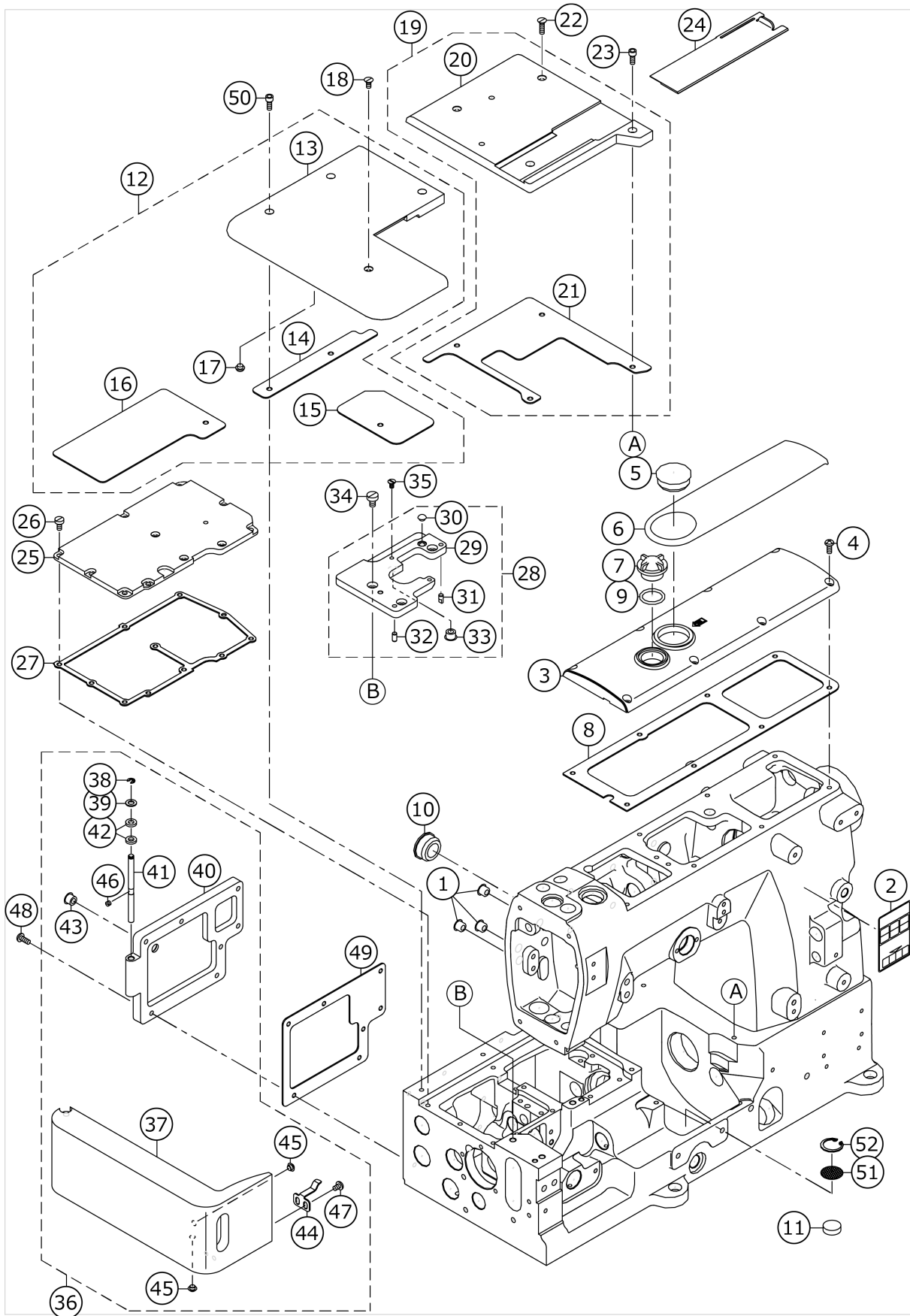


No.	品番	品名	備考	子部品	消耗品	個数
1	RC4881514KP	C-RING				1.00
2	RC4381514KP	C-RING				1.00
3	SM8040412TP	SET SCREW M4 L=4				3.00
4	TA2050406R0	RUBBER PLUG				1.00
5	TA1250406R0	RUBBER PLUG D=12.5 L=4				2.00
6	TA1701002R0	RUBBER PLUG				1.00
7	TA2101002R0	RUBBER PLUG				1.00
8	TA2050416R0	RUBBER PLUG				1.00
9	13365002	BASE	FOR MF-7700-C10			1.00
10	SM6060800SP	SCREW M6 L=8	FOR MF-7700-C10			2.00
11	13365101	GUIDE	FOR MF-7700-C10			1.00
12	22901805	GROUND MARK				1.00
13	CM300200001	ATTENTION SEAL				2.00
14	SS7110510SP	SCREW 11/64-40 L=5	FOR MF-7700-C10			2.00
15	13300959	ASSY HEAD COVER				1.00
16	13300900	HEAD COVER		*		1.00
17	22902506	FACE PLATE		*		1.00
18	TA1050504R0	RUBBER PLUG		*		1.00
19	SM4041055SP	SCREW				4.00
20	13301007	GASKET H				1.00
21	13301304	NEEDLE BAR GUARD				1.00
22	SM4040655SP	SCREW M4 L=6				2.00
23	40033518	PROTECTION_SHIELD_ASSY				1.00
24	40033340	BRACKET HOLDER		*		1.00
25	40033341	BRACKET		*		1.00
26	13301700	PROTECTION SHIELD		*		1.00
27	WZ0641510KP	WAVED WASHER 6.4X11X0.3		*		1.00
28	SM4030455SN	SCREW		*		2.00
29	NM6040001SP	NUT M4X0.7		*		1.00
30	SD0640246SP	HINGE SCREW D=6.35 H=2.4		*		1.00
31	SM6060800SP	SCREW M6 L=8				1.00
32	13301403	THREAD COVER				1.00
33	SM4040655SP	SCREW M4 L=6				1.00
34	13301809	SUPPORT STUD				4.00
35	13302401	LMS_FAN_COVER				1.00
36	SM4040655SP	SCREW M4 L=6				2.00
37	13303359	SWING_DOWN_COVER_ASSY				1.00
38	13303300	SWING DOWN COVER		*		1.00
39	13303508	HINGE		*		1.00
40	PH0500400C0	PARALLEL PIN		*		1.00
41	13305206	PIN_FOR_S_D_COVER		*		1.00
42	RE0300000K0	E-RING 3		*		1.00
43	WP0550800SP	WASHER 5.5X10X0.8		*		1.00
44	13304308	LATCH SPRING		*		1.00
45	13302302	RUBBER BUMPER		*		2.00
46	13302708	RUBBER_WASHER		*		2.00

47	SM8040360TP	SCREW		*		2.00
48	SM4040655SP	SCREW M4 L=6		*		2.00
49	13303458	ASSY_BRACKET	FOR MF-7700D-U10			1.00
50	13303409	BRACKET		*		1.00
51	13305305	RUBBER_BOARD		*		1.00
52	13302302	RUBBER BUMPER		*		1.00
53	SL4051485SC	SCREW				2.00
54	SM6051400SP	SCREW				2.00
55	13302104	PIN				1.00
56	13302104	PIN				1.00
57	13304209	SUPPORT BRACKET				1.00
58	SM4041055SP	SCREW				1.00
59	SM4040655SP	SCREW M4 L=6				1.00
60	NM6040001SP	NUT M4X0.7				1.00
61	13366000	BRACKET	FOR MF-7700-C10			1.00
62	SM6050800SP	SCREW M5 L=8	FOR MF-7700-C10			2.00
63	13366208	BINDER_PLATE	FOR MF-7700-C10			1.00
64	WP0531001SC	WASHER	FOR MF-7700-C10			2.00
65	SM4050855SP	SCREW	FOR MF-7700-C10			2.00
66	13366109	FABRIC_GUARD	FOR MF-7700-C10			1.00
67	WP0450826SC	WASHER 4.5X10X0.8	FOR MF-7700-C10			2.00
68	SM6040610SC	SCREW M4X0.7 L=6	FOR MF-7700-C10			2.00
69	13302658	DRIVING BELT COVER ASSY				1.00
70	13302609	DRIVING BELT COVER		*		1.00
71	CM3002000A1	CAUTION LABEL(16)		*		1.00
72	SM4051255SP	SCREW.,M5 L=12				2.00
73	SM4050855SP	SCREW				1.00
74	13365259	GUIDE_PIN_ASSY	FOR MF-7700-C10			2.00
75	13365507	SCREW		*		1.00
76	13365200	GUIDE_PIN		*		1.00
77	13365309	PIN_BASE		*		1.00
78	NM6040000SN	NUT M4	FOR MF-7700-C10			2.00
79	13304407	TAPE_BINDER_BRACKET	FOR MF-7700-C10			1.00
80	13366307	PLATE	FOR MF-7700-C10			1.00
81	13365408	FOLDER_CLAMP	FOR MF-7700-C10			1.00
82	SM6050800SP	SCREW M5 L=8	FOR MF-7700-C10			1.00

83	CM600100101	WEEE MARK LABEL S				1.00
----	-------------	-------------------	--	--	--	------

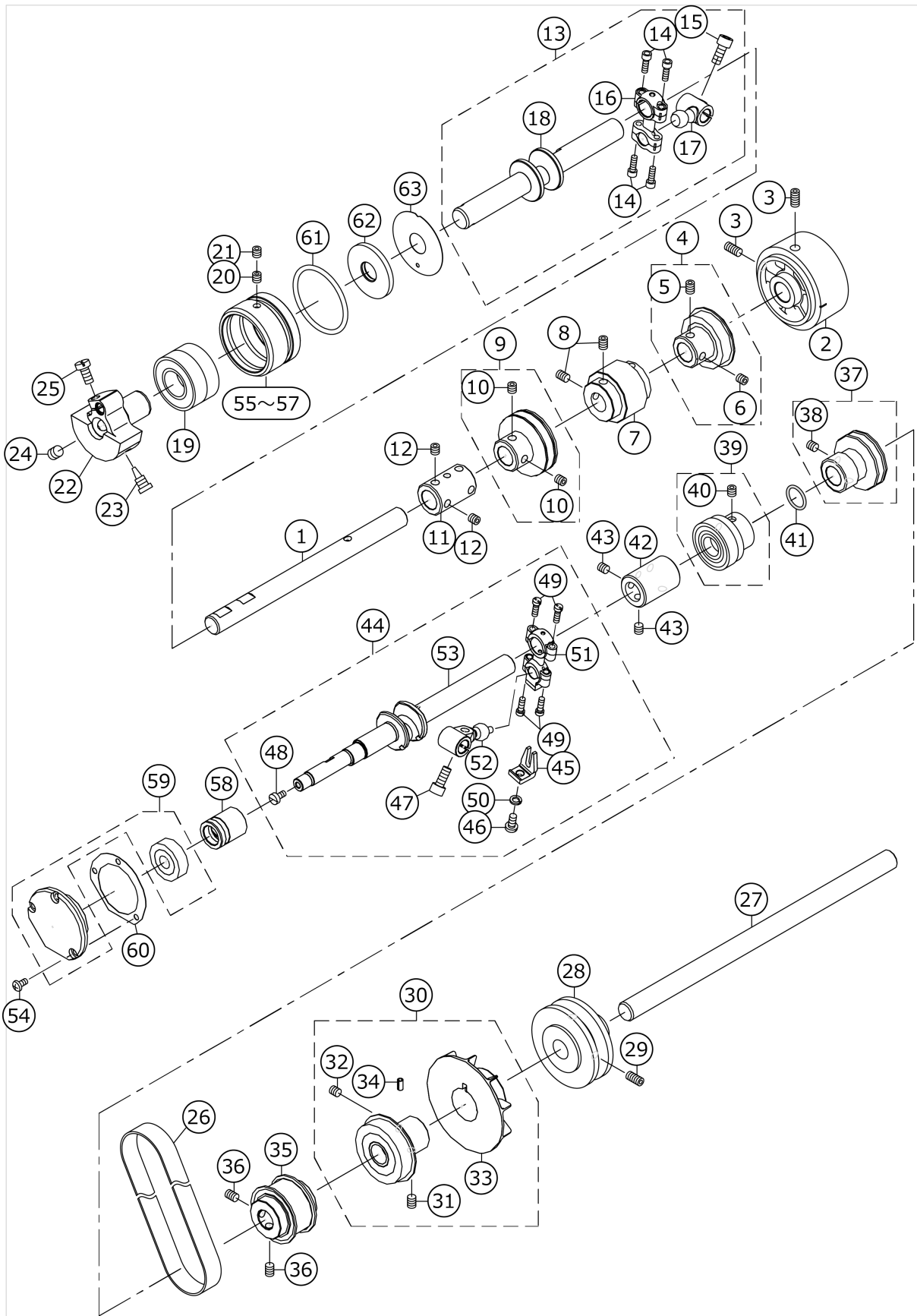
FRAME & MISCELLANEOUS COVER COMPONENTS (2)



No.	品番	品名	備考	子部品	消耗品	個数
1	TA0850604R0	RUBBER PLUG				3.00
2	CM301200001	SAFETY LABEL_S				1.00
3	40081954	TOP COVER DRY				1.00
4	SM4041055SP	SCREW				8.00
5	10753309	WINDOW PLATE RUBBER PLUG				1.00
6	40081956	TOP_COVOR_PANEL_PRINTING				1.00
7	22924708	OIL SIGHT WINDOW				1.00
8	13300801	GASKET T				1.00
9	RO195240100	RUBBER RING				1.00
10	TA2351004R0	RUBBER PLUG				1.00
11	40018946	FILTER				1.00
12	13303656	ASSY_CLOTH_PLATE_LEFT				1.00
13	13303607	CLOTH PLATE LEFT		*		1.00
14	13304803	GASKET_CPL		*		1.00
15	13304902	GASKET_TPS		*		1.00
16	13305008	GASKET_BTC		*		1.00
17	13302302	RUBBER BUMPER		*		2.00
18	SM1040800SP	SCREW				1.00
19	13303755	ASSY_CLOTH_PLATE_RIGHT				1.00
20	13303706	CLOTH PLATE RIGHT		*		1.00
21	13304704	GASKET_CPR		*		1.00
22	SM1041400SP	SCREW				2.00
23	SM6041002TP	SCREW M4 L=10				2.00
24	13303805	SLIDE COVER				1.00
25	13303102	BED TOP COVER				1.00
26	SM6040800SP	SCREW				11.00
27	13303201	GASKET B				1.00
28	13303052	ASSY_TP_SUPPORT				1.00
29	13303003	THROAT PLATE SUPPORT		*		1.00
30	13302302	RUBBER BUMPER		*		1.00
31	13301908	DOWEL PIN		*		1.00
32	13302500	DOWEL PIN 2		*		1.00
33	TA0850604R0	RUBBER PLUG		*		1.00
34	SM6050800SP	SCREW M5 L=8				3.00
35	13302203	SCREW				2.00
36	13304159	SIDE_COVER_ASSY				1.00
37	13304100	SIDE COVER		*		1.00
38	RE0300000K0	E-RING 3		*		1.00
39	WP0550800SP	WASHER 5.5X10X0.8		*		1.00
40	13303904	FEED CHAMBER COVER		*		1.00
41	13305107	PIN_FOR_SIDE_COVER		*		1.00
42	13302708	RUBBER_WASHER		*		2.00
43	TA0850604R0	RUBBER PLUG		*		1.00
44	13304308	LATCH SPRING		*		1.00
45	13302302	RUBBER BUMPER		*		2.00
46	SM8040360TP	SCREW		*		1.00
47	SM4040655SP	SCREW M4 L=6		*		2.00
48	SM4041055SP	SCREW				7.00
49	13304001	GASKET F				1.00
50	SM6041002TP	SCREW M4 L=10				3.00

51	13426903	MESH PLATE				1.00
52	RC1900002KP	RETAIN IG-PIN				1.00

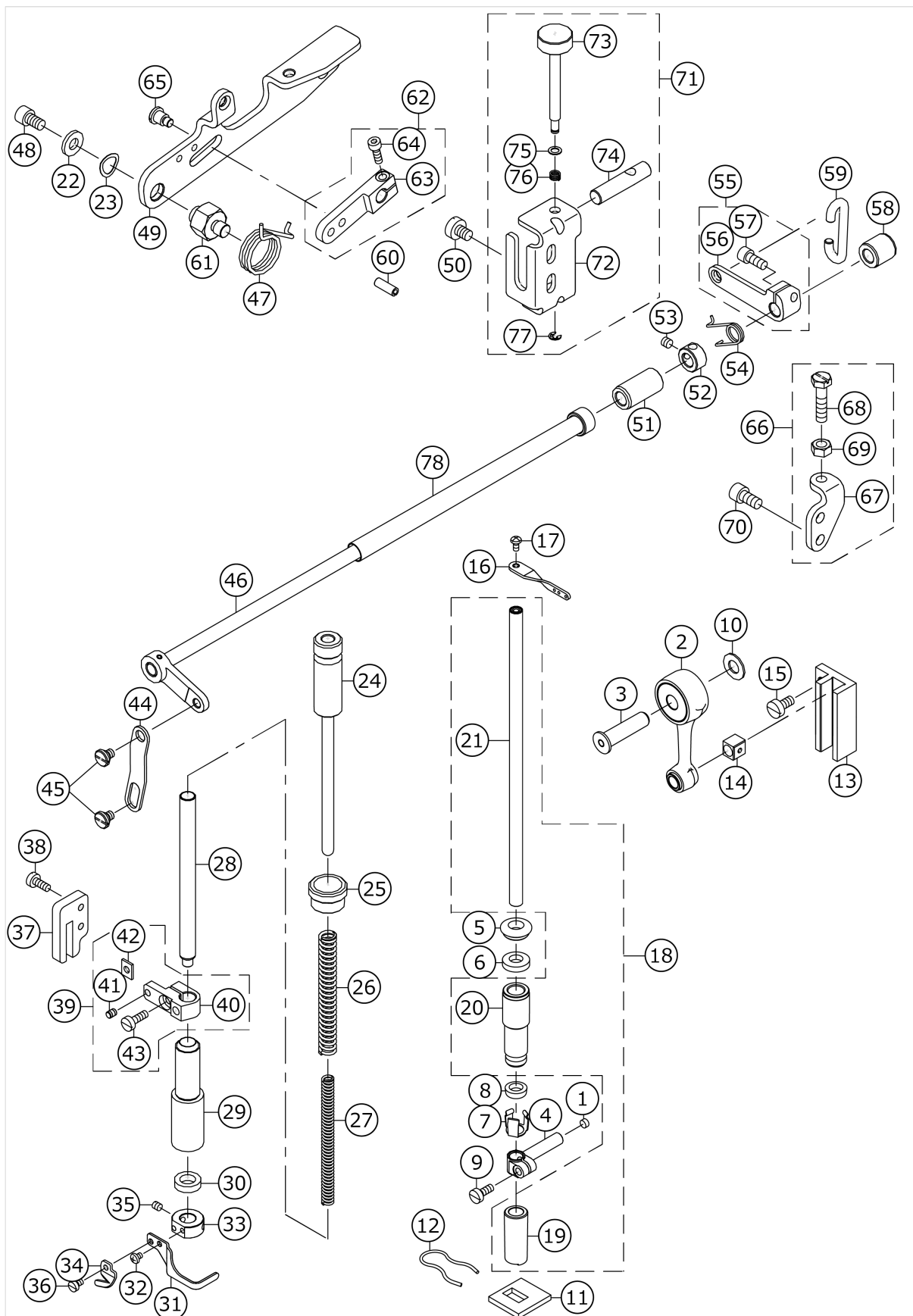
MAIN SHAFT COMPONENTS



No.	品番	品名	備考	子部品	消耗品	個数
1	13307004	UPPER MAINSHAFT RIGHT				1.00
2	13307103	UPPER PULLEY				1.00
3	SM8061212TP	SCREW M6X12				2.00
4	13307251	BEARING ASSY A				1.00
5	SM8060842TP	SCREW M6 L=8		*		1.00
6	SM8060612TP	SCREW M6 L=6		*		1.00
7	13307301	UMS_SPROCKET				1.00
8	SM8060812TP	SCREW M6 L=8				4.00
9	13307459	BEARING ASSY B				1.00
10	SM8060612TP	SCREW M6 L=6		*		2.00
11	13307509	JOINT				1.00
12	SM8060612TP	SCREW M6 L=6				4.00
13	40078283	UMS_LEFT_ROD_ASSY				1.00
14	SM6041202TP	SCREW M4X0.7 L=12		*		4.00
15	SM6061402TP	SCREW M6 L=14		*		1.00
16	13324009	ROD		*		1.00
17	13324207	CRANK		*		1.00
18	40078284	UPPER_MAINSHAFT_LEFT		*		1.00
19	SB120001900	BEARING				2.00
20	SM8060842TP	SCREW M6 L=8				1.00
21	SM8060612TP	SCREW M6 L=6				1.00
22	40078277	COUNTER_WEIGHT				1.00
23	13309208	SCREW_FOR_COUNTERWEIGHT				1.00
24	SM8080812TP	SCREW M8X8				1.00
25	SM6061200SP	SCREW				1.00
26	13308804	TIMING_BELT				1.00
27	13307905	LOWER MAINSHAFT RIGHT				1.00
28	13308002	LOWER PULLEY				1.00
29	SM8061212TP	SCREW M6X12				2.00
30	13309158	BEARING_ASSY_F				1.00
31	SM8060842TP	SCREW M6 L=8		*		1.00
32	SM8060612TP	SCREW M6 L=6		*		1.00
33	13309000	LMS_FAN		*		1.00
34	PS0400082KP	SPRING PIN		*		1.00
35	13308309	LMS_SPROCKET				1.00
36	SM8060812TP	SCREW M6 L=8				4.00
37	13308556	BEARING_ASSY_D				1.00
38	SM8060612TP	SCREW M6 L=6		*		2.00
39	13308457	BEARING_ASSY_C				1.00
40	SM8060612TP	SCREW M6 L=6		*		2.00
41	RO148240200	RUBBER RING				1.00
42	13307509	JOINT				1.00
43	SM8060612TP	SCREW M6 L=6				4.00
44	13308150	LMS_LEFT_ASSY				1.00
45	13337100	GUIDE LOOPER ROD		*		1.00
46	SM4051055SP	SCREW		*		1.00
47	SM6061402TP	SCREW M6 L=14		*		1.00
48	SM6040800SP	SCREW		*		1.00
49	13324108	SCREW		*		4.00
50	WS0510002KP	SPRING WASHER 5.1X9.2X1.3		*		1.00

51	13337001	LOOPER ROD DRIVE		*		1.00
52	13337209	LOOPER DRIVE		*		1.00
53	13308101	LOWER MAINSHAFT LEFT		*		1.00
54	SM4040855SP	SCREW				3.00
55	40078278	HOUSING_A	SELECTIVE PARTS			1.00
56	40078279	HOUSING_B	SELECTIVE PARTS			1.00
57	40078280	HOUSING_C	SELECTIVE PARTS			1.00
58	13308200	BUSHING LMS MIDDLE				1.00
59	13308655	BUSHING_LMS_LEFT_ASSY				1.00
60	13308705	GASKET FOR BUSHING LEFT				1.00
61	RO445300100	RUBBER RING				1.00
62	40078282	OIL SEAL				1.00
63	40081965	OIL_BLOCK_PLATE				1.00

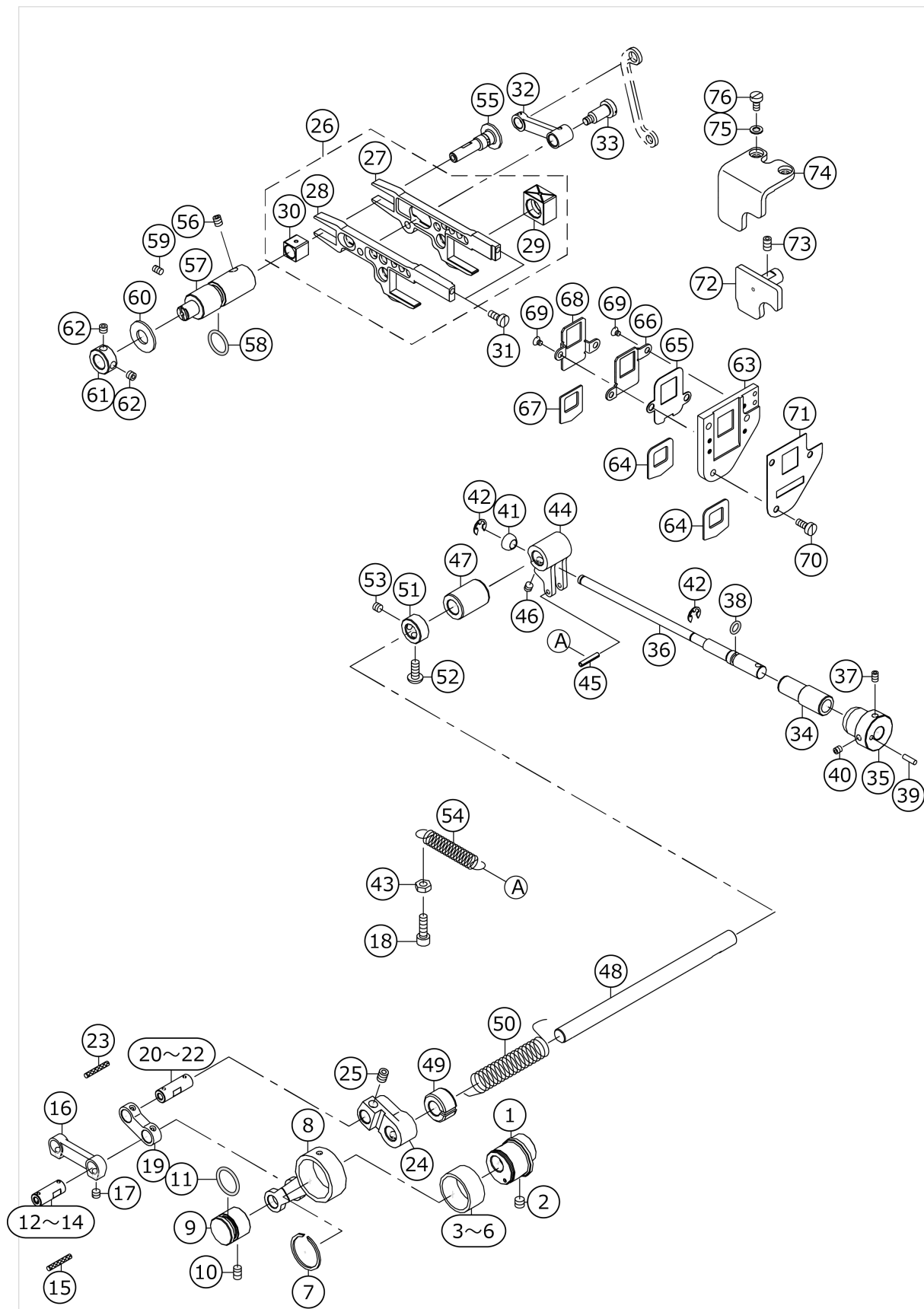
NEEDLE BAR & PRESSER COMPONENTS



No.	品番	品名	備考	子部品	消耗品	個数
1	40078293	PLUG4.6				1.00
2	40078285	ASSY_NEEDLE_CRANK_ROD				1.00
3	40078290	NEEDLE_CRANK				1.00
4	40078292	NEEDLE_BAR_CLAMP				1.00
5	40078305	BUSHING_NB_U_PRESSER_A				1.00
6	40078302	BUSHING_NB_U_FELT_A				1.00
7	40078306	BUSHING_NB_U_PRESSER_B				1.00
8	40078303	BUSHING_NB_U_FELT_B				1.00
9	SM6041000SP	SCREW M4 L=10				1.00
10	40078291	WASHER				1.00
11	40078301	BUSHING_NB_L_FELT				1.00
12	40078304	BUSHING_NB_U_PRESSER				1.00
13	40078294	NEEDLE_BAR_GUIDE				1.00
14	40078295	SLIDE_BLOCK_A				1.00
15	SM6051000SP	SCREW				3.00
16	13326806	NEEDLE BAR EYELET				1.00
17	SM4030655SP	SCREW				1.00
18	40078317	ASSY BUSHING NB DRY				1.00
19	40078299	BUSHING_NB_LOWER		*		1.00
20	40078300	BUSHING_NB_UPPER		*		1.00
21	40078296	NEEDLE BAR ASSY DRY		*		1.00
22	WP0702026SP	WASHER 7X15X2				1.00
23	WZ1052010KP	WAVED WASHER				1.00
24	13313051	ADJ SCREW P B ASSY				1.00
25	13313101	LOCKING NUT				1.00
26	13313309	SPRING PRESSER BAR A				1.00
27	13313408	SPRING PRESSER BAR B				1.00
28	13313507	PRESSER BAR				1.00
29	13313705	BUSHING PRESSER BAR				1.00
30	13315908	OIL SEAL				1.00
31	40018259	FINGER_GUARD				1.00
32	SM4030455SP	SCREW				1.00
33	13313606	COLLAR				1.00
34	13316302	THREAD_TRIMMER				1.00
35	SM8040410TP	SCREW				2.00
36	SM6030500SN	SCREW M3 L=5				1.00
37	13313804	GUIDE PLATE				1.00
38	SM6041000SP	SCREW M4 L=10				2.00
39	13313952	P_B_BRACKET_ASSY				1.00
40	13313903	PRESSER BAR BRACKET		*		1.00
41	13316203	P_B_BRACKET_PIN		*		1.00
42	13333208	WASHER		*		1.00
43	SM6041200SP	SCREW M4 L=12		*		1.00
44	13314109	LINK				1.00
45	SD0700206TP	SHOULDER SCREW				2.00
46	40078307	ASSY_LIFTER_SHAFT_DRY				1.00
47	13315205	SPRING LIFTER LEVER				1.00
48	SM6061002TP	SCREW M6 L=10				1.00
49	13315007	LIFTER LEVER				1.00
50	SM6060800SP	SCREW M6 L=8				1.00

51	13314406	BUSHING LIFTER FRONT				1.00
52	CS0800881TP	THRUST COLLAR				1.00
53	SM8050412TP	SCREW M5 L=4				2.00
54	13314802	SPRING PF LIFT				1.00
55	13314752	LIFTER_SHAFT_LEVER_ASSY				1.00
56	13314703	LIFTER SHAFT LEVER		*		1.00
57	SM6051202TP	SCREW M5X0.8 L=12		*		1.00
58	13314505	BUSHING LIFTER REAR				1.00
59	13314901	LIFTER HOOK				1.00
60	PS0500142KP	SPRING PIN				1.00
61	13315106	LIFTER LEVER HOLDER				1.00
62	13315353	TENS_RELEASE_LEVER_ASSY				1.00
63	13315304	TENSION RELEASE LEVER		*		1.00
64	SM6041202TP	SCREW M4X0.7 L=12		*		1.00
65	SD0700586TP	SHOULDER SCREW				1.00
66	13315551	STOPPER_ASSY				1.00
67	13315502	LIFTER LEVER STOPPER		*		1.00
68	SM9062550TP	SCREW		*		1.00
69	NM6060001CP	NUT M6		*		1.00
70	SM6061202TP	SCREW M6 L=12				2.00
71	13315650	MINUTE_LIFTING_ASSY				1.00
72	13315601	BRACKET		*		1.00
73	13315700	SCREW		*		1.00
74	13315809	SLIDER		*		1.00
75	WP0460556SD	WASHER 4.6X7.5X0.5		*		1.00
76	13123302	ADJUSTING SPRING		*		1.00
77	RE0300000K0	E-RING 3		*		1.00
78	40078320	PIPE_ASSY				1.00

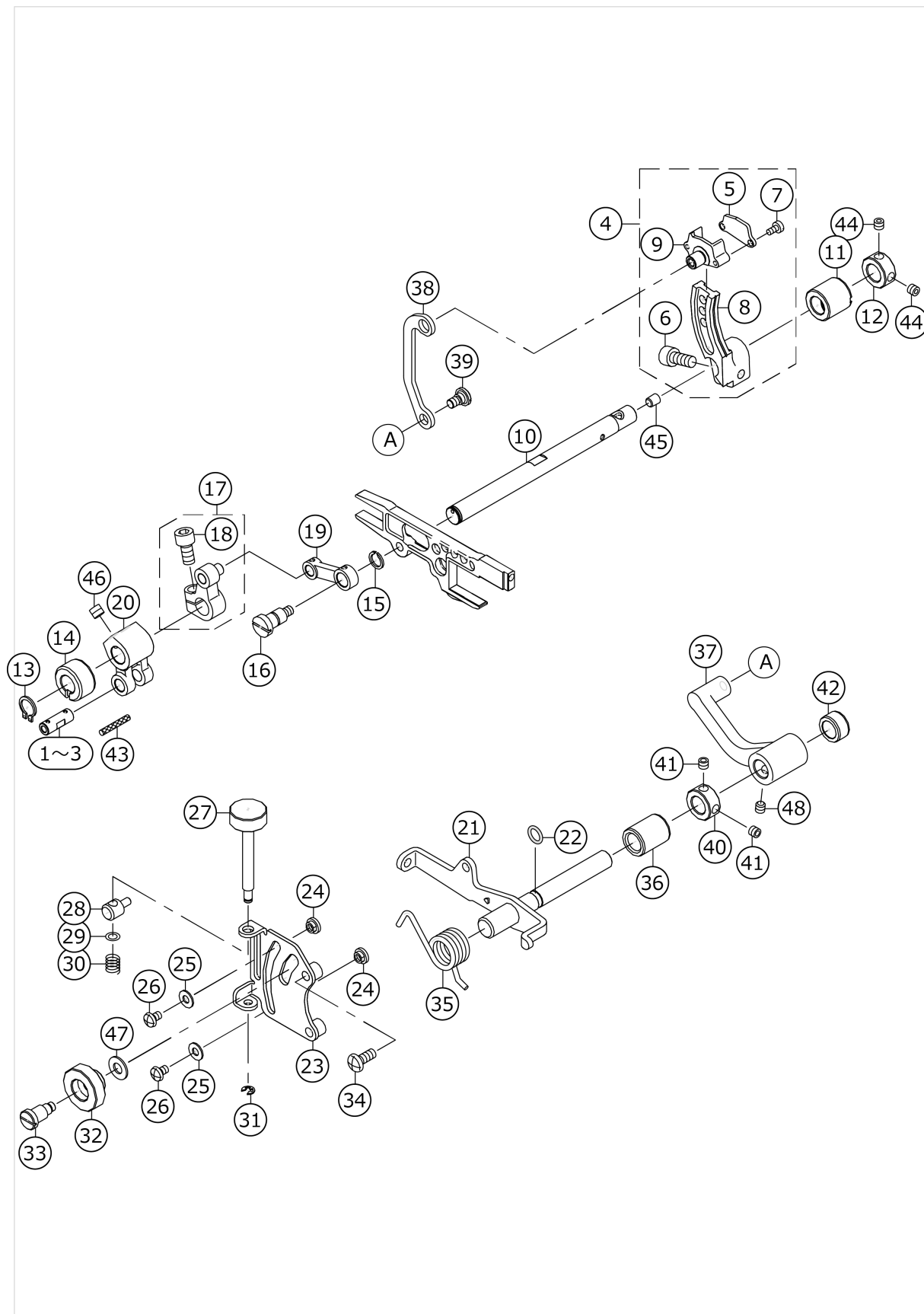
FEED DRIVE COMPONENTS (1)



No.	品番	品名	備考	子部品	消耗品	個数
1	13317003	FEED ECCENTRIC				1.00
2	SM8060552TP	SCREW M6 L=5				2.00
3	B1426180A00	NEEDLE BEARING (A)	SELECTIVE PARTS			1.00
4	B1426180B00	NEEDLE BEARING (B)	SELECTIVE PARTS			1.00
5	B1426180C00	NEEDLE BEARING (C)	SELECTIVE PARTS			1.00
6	B1426180D00	NEEDLE BEARING (D)	SELECTIVE PARTS			1.00
7	RC2251213KP	C-RING				1.00
8	13317102	CRANK_ROD				1.00
9	13323803	CRANK ROD GUIDE				1.00
10	SM8050812TP	SCREW M5X8				1.00
11	RO158240100	O-RING				1.00
12	13323308	FEED_ADJ_LINK_PIN_A	SELECTIVE PARTS			1.00
13	13323407	FEED_ADJ_LINK_PIN_B	SELECTIVE PARTS			1.00
14	13323506	FEED_ADJ_LINK_PIN_C	SELECTIVE PARTS			1.00
15	CQ303000000	OIL WICK				0.07
16	13317201	MAIN FEED DRIVE LINK				1.00
17	SM8050412TP	SCREW M5 L=4				2.00
18	SM6051602TP	SCREW M5X0.8 L=16				1.00
19	13317300	ADJUST LINK				1.00
20	13317409	FEED ADJ LINK PIN A	SELECTIVE PARTS			1.00
21	13317508	FEED ADJ LINK PIN B	SELECTIVE PARTS			1.00
22	13317607	FEED ADJ LINK PIN C	SELECTIVE PARTS			1.00
23	CQ303000000	OIL WICK				0.08
24	13317706	MAIN FEED ADJ LEVER				1.00
25	SM8060552TP	SCREW M6 L=5				2.00
26	13321658	FEED_BAR_ASSY				1.00
27	13321609	MAIN FEED BAR		*		1.00
28	13321708	DIFF FEED BAR		*		1.00
29	13321401	SLIDE BLOCK		*		1.00
30	13322409	SLIDE BLOCK		*		1.00
31	SM6041000SP	SCREW M4 L=10				2.00
32	13319702	DIFF FEED LINK				1.00
33	SD0801326TH	SHOULDER SCREW				1.00
34	13318209	BUSHING FEED ADJUST				1.00
35	13318001	KNOB FEED ADJUST				1.00
36	13318100	SHAFT FEED ADJUST				1.00
37	SM8040602TP	SCREW M4X0.7 L=6				1.00
38	RO055200100	RUBBER RING				1.00
39	B3215470000	PIN				1.00
40	SM8040412TP	SET SCREW M4 L=4				1.00

41	13318308	STOPPER FEED ADJUST				1.00
42	RE0500000K0	E-RING				2.00
43	NM6050001SP	NUT M5				1.00
44	13317904	FEED ADJUST LEVER				1.00
45	PS0300162KH	SPRING PIN 3X16				1.00
46	SM8050412TP	SCREW M5 L=4				1.00
47	13323100	BUSHING_FEED_ADJ				1.00
48	13317805	FEED ADJUST SHAFT				1.00
49	13319108	BUSHING FEED FRONT				1.00
50	13318506	TORSIN SPRING				1.00
51	CS1000881TP	THRUST COLLAR				1.00
52	SM4051255SP	SCREW.,M5 L=12.				1.00
53	SM8050412TP	SCREW M5 L=4				1.00
54	B2556280000	SPRING				1.00
55	13322201	ECCENTRIC PIN				1.00
56	SM8060552TP	SCREW M6 L=5				1.00
57	13322003	FEED BAR SHAFT				1.00
58	RO137230100	RUBBER RING				1.00
59	SM8040612TP	SCREW M4 L=6				1.00
60	13322102	WASHER FEED BAR SHAFT				1.00
61	CS1000881TP	THRUST COLLAR				1.00
62	SM8050412TP	SCREW M5 L=4				2.00
63	13322508	FEED BAR SEAL CASE				1.00
64	13322607	FEED BAR SEAL 1				2.00
65	13322706	FEED BAR SEAL PLATE 1				1.00
66	13322805	FEED BAR SEAL PLATE 2				1.00
67	13323001	FEED BAR SEAL 2				1.00
68	13322904	FEED BAR SEAL PLATE 3				1.00
69	SM1030400SP	SCREW M3 L=4				4.00
70	SM6041000SP	SCREW M4 L=10				3.00
71	13323605	DUST PROOF PLATE				1.00
72	13321807	FEED BAR GUIDE 1				1.00
73	SM8050812TP	SCREW M5X8				1.00
74	13321906	FEED BAR GUIDE 2				1.00
75	WP0480856SP	WASHER 4.8X8.4X0.8				2.00
76	SM6040800SP	SCREW				2.00

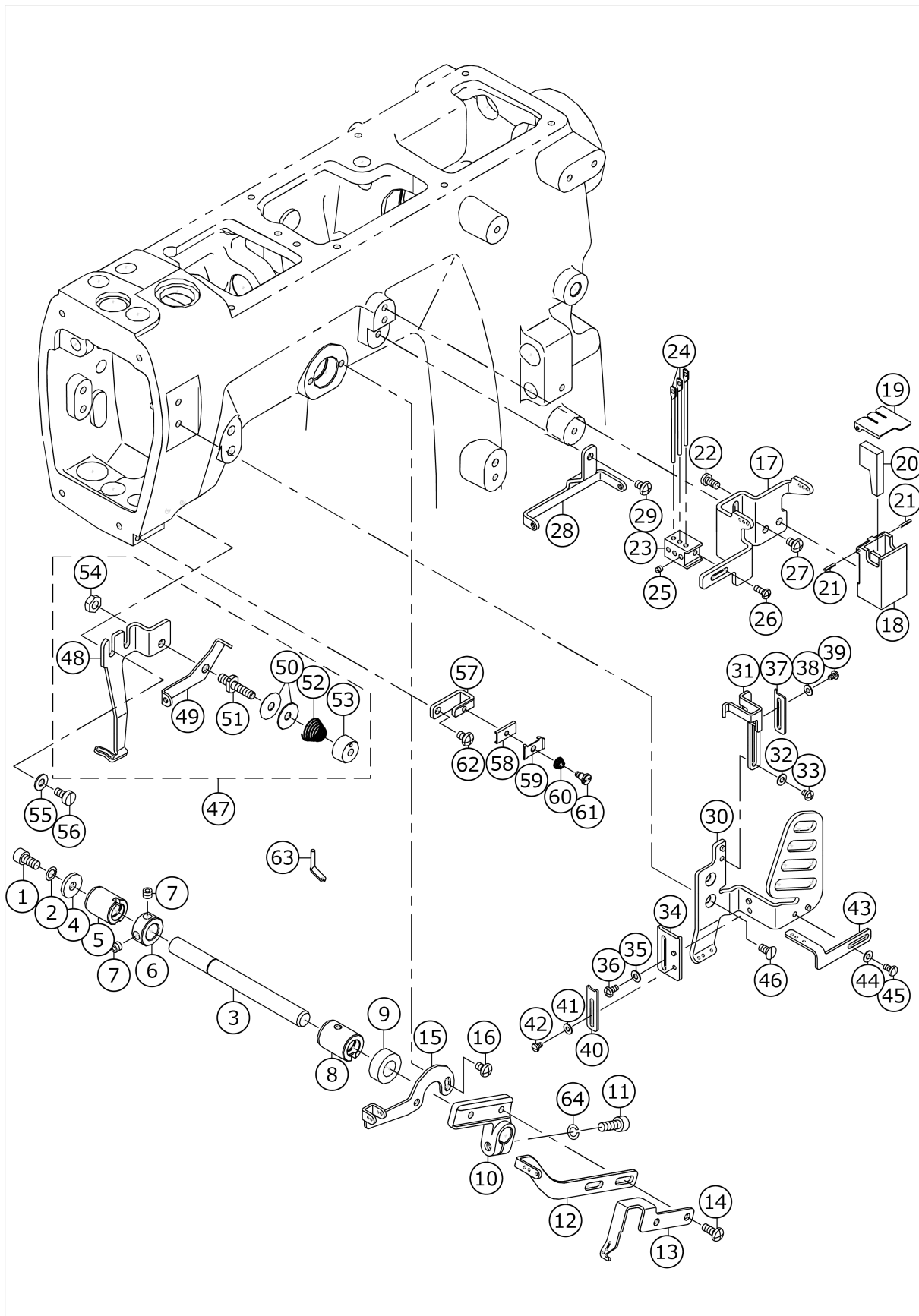
FEED DRIVE COMPONENTS (2)



No.	品番	品名	備考	子部品	消耗品	個数
1	13318704	MAIN FEED CRANK PIN A	SELECTIVE PARTS			1.00
2	13318803	MAIN FEED CRANK PIN B	SELECTIVE PARTS			1.00
3	13318902	MAIN FEED CRANK PIN C	SELECTIVE PARTS			1.00
4	13319959	DIFF_DRIVE_ARM_ASSY				1.00
5	13320106	DIFF FEED PIN PLATE		*		1.00
6	SM6061402TP	SCREW M6 L=14		*		1.00
7	SM6030600SP	SCREW M3X0.5 L=6		*		2.00
8	13319900	DIFF DRIVE ARM		*		1.00
9	13320007	DIFF FEED PIN		*		1.00
10	13319009	ROCKER SHAFT				1.00
11	13319207	BUSHING FEED REAR				1.00
12	CS1000881TP	THRUST COLLAR				1.00
13	RC0100001KP	SNAP RING M10				1.00
14	13319108	BUSHING FEED FRONT				1.00
15	RC0741013KP	C-RING				1.00
16	13398409	SHOULDER SCREW				1.00
17	13319355	MAIN_FEED_ROCKER_ASSY				1.00
18	SM6061202TP	SCREW M6 L=12		*		1.00
19	13319504	MAIN FEED LINK				1.00
20	13318605	MAIN FEED CRANK				1.00
21	13320650	DIFF FEED LEVER ASSY				1.00
22	RO068190100	RUBBER RING				1.00
23	13320809	PLATE DIFF FEED LEVER				1.00
24	13321203	STOPPER DIFF ADJ				2.00
25	WP0450826SC	WASHER 4.5X10X0.8				2.00
26	SM5040655SN	SCREW				2.00
27	13213012	ADJUSTING SCREW				1.00
28	13217708	DIFFERENTIAL FEED BLOCK				1.00
29	WP0460556SD	WASHER 4.6X7.5X0.5				1.00
30	13123302	ADJUSTING SPRING				1.00
31	RE0300000K0	E-RING 3				1.00
32	13217500	DIFFERENTIAL FEED LOCK NUT				1.00
33	13217401	DIFFERENTIAL FEED HINGE SCREW				1.00
34	SM4051255SP	SCREW.,M5 L=12.				2.00
35	13321302	TORSIN SPRING				1.00
36	13320304	BUSHING DIFF ADJ LEVER				1.00
37	13320403	DIFF ADJ LEVER				1.00
38	40018443	DIFF_ADJ_LINK				1.00
39	31013808	HINGE SCREW				1.00
40	CS1000881TP	THRUST COLLAR				1.00
41	SM8050412TP	SCREW M5 L=4				2.00
42	13323209	BUSHING_DIFF_ADJ_LEVER				1.00
43	CQ303000000	OIL WICK				0.04
44	SM8050412TP	SCREW M5 L=4				2.00
45	TA0500601M0	PLUG D=5X5.4 L=6				1.00
46	SM8060552TP	SCREW M6 L=5				2.00
47	WP0621016SD	WASHER 6.2X13X1				1.00

48	SM8050412TP	SCREW M5 L=4				1.00
----	-------------	--------------	--	--	--	------

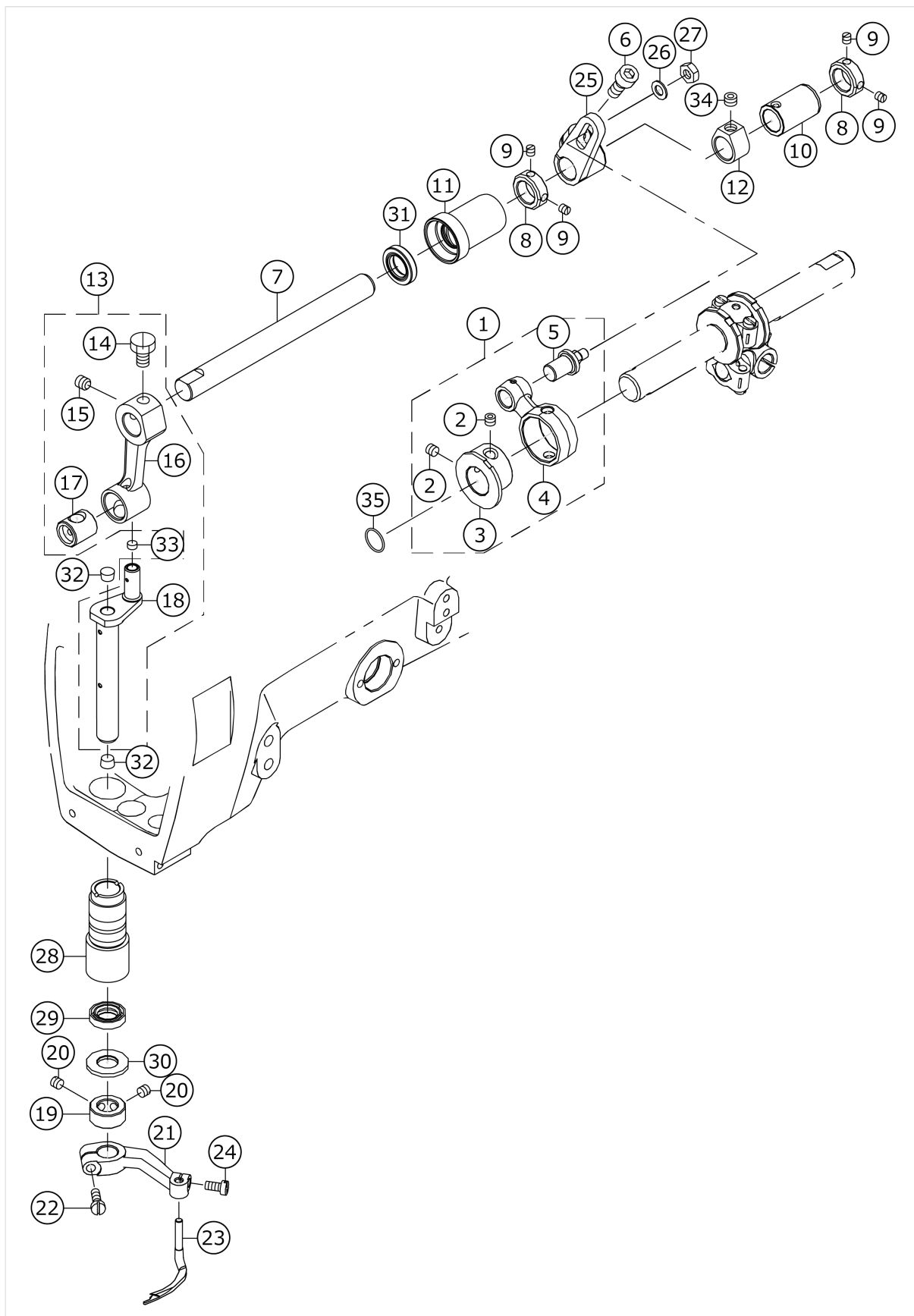
THREAD TAKE-UP LEVER COMPONENTS



No.	品番	品名	備考	子部品	消耗品	個数
1	SM6051002TP	SCREW M5X0.8 L=10				1.00
2	WS0510002KP	SPRING WASHER 5.1X9.2X1.3				1.00
3	13324306	SHAFT				1.00
4	WP0522016SH	WASHER				1.00
5	13324504	BUSHING REAR				1.00
6	CS1000881TP	THRUST COLLAR				1.00
7	SM8050412TP	SCREW M5 L=4				2.00
8	13324603	BUSHING FRONT				1.00
9	23612609	FEED CHANGING SHAFT OIL SEAL				1.00
10	13324702	HOLDER TAKE UP EYELET				1.00
11	SM6051402TP	SCREW M5X0.8 L=14				1.00
12	13324801	NDL THREAD TAKE UP				1.00
13	13324900	UP LPR THREAD TAKE UP				1.00
14	SM4041055SP	SCREW				2.00
15	13325006	THREAD GUIDE				1.00
16	SM4040655SP	SCREW M4 L=6				2.00
17	13325105	THREAD TENSION GUIDE				1.00
18	13348008	TANK				1.00
19	B9213850000	SILICONE OIL TANK COVER, UPPER				1.00
20	B9214850000	HEAT REMOVING FELT				1.00
21	PS0150082KH	SPRING PIN				2.00
22	ST4040851SN	TAPPING SCREW M4X8				2.00
23	13325204	HOLDER				1.00
24	30391601	NEEDLE THREAD EYELET				3.00
25	SM8030350TP	SCREW				3.00
26	SM4030855SN	SCREW M3 L=8.0				1.00
27	SM4040655SP	SCREW M4 L=6				2.00
28	13325402	THREAD GUIDE				1.00
29	SM4040655SP	SCREW M4 L=6				1.00
30	13325501	COVER				1.00
31	13325709	NDL THD STRIKE OFF				1.00
32	WP0320501SC	WASHER M3				1.00
33	SM4030455SP	SCREW				1.00
34	13325600	THD STRIKE OFF PLATE				1.00
35	WP0320501SC	WASHER M3				1.00
36	SM4030655SP	SCREW				1.00
37	13326905	NDL THD STRIKE OFF R				1.00
38	WP0280501SC	WASHER M2.6				1.00
39	SM4850455SP	SCREW				1.00
40	13327002	THD STRIKE OFF PLATE R				1.00
41	WP0280501SC	WASHER M2.6				1.00
42	SM4850455SP	SCREW				1.00
43	13327101	THREAD_GUIDE				1.00
44	WP0320501SC	WASHER M3				1.00
45	SM4030655SP	SCREW				1.00
46	SM1040800SP	SCREW				2.00
47	13326350	UP_LPR_TENSION_ASSY				1.00
48	13326301	THREAD GUIDE UPPER LPR		*		1.00
49	13326400	THREAD GUIDE		*		1.00
50	22945802	THREAD TENSION DISK		*		2.00

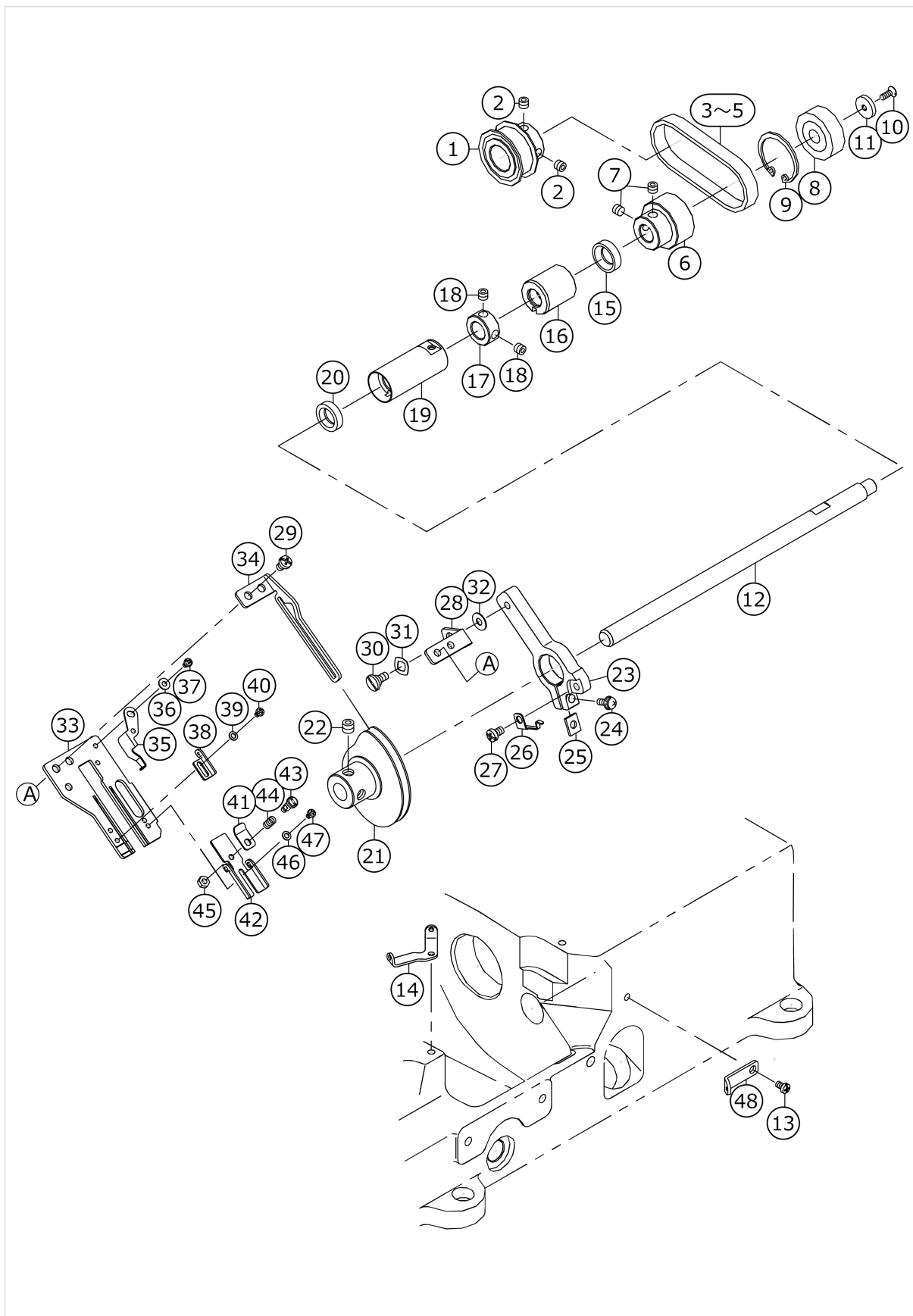
51	13326509	TENSION POST		*		1.00
52	22945505	THREAD TENSION SPRING		*		1.00
53	13326608	TENSION NUT		*		1.00
54	NM6050001SP	NUT M5		*		1.00
55	WP0450826SC	WASHER 4.5X10X0.8				2.00
56	SM6040800SP	SCREW				2.00
57	13325808	NIPPER PLATE SUPPORT				1.00
58	13325907	NIPPER PLATE				1.00
59	13326004	NIPPER GUIDE PLATE				1.00
60	13326103	SPRING				1.00
61	13326202	SHOULDER SCREW				1.00
62	SM4040655SP	SCREW M4 L=6				1.00
63	13326707	THREAD GUIDE				1.00
64	WS0510002KN	SPRING WASHER				1.00

SPREADER COMPONENTS



No.	品番	品名	備考	子部品	消耗品	個数
1	40078318	ASSY UPPER LPR MECH				1.00
2	SM8050412TP	SCREW M5 L=4		*		2.00
3	40083520	UPPER LOOPER ECCENTRIC		*		1.00
4	40078319	CONNROD_FOR_UPPER_LPR		*		1.00
5	13328208	STUD		*		1.00
6	SM6061402TP	SCREW M6 L=14				1.00
7	40078310	UPPER_LOOPER_SHAFT				1.00
8	13399209	COLLAR				2.00
9	SM8040410TP	SCREW				4.00
10	40081402	BUSHING_REAR				1.00
11	40078309	BUSHING_FRONT				1.00
12	13411806	COLLAR				1.00
13	40078311	ASSY UPPER LPR MECH 2				1.00
14	SM9061050TP	SCREW M6 L=10		*		1.00
15	SM8060612TP	SCREW M6 L=6		*		1.00
16	40078312	CRANK_ROD		*		1.00
17	40078313	UPPER_LOOPER_ROCKER		*		1.00
18	40078314	U.L_SHAFT_VERTICAL		*		1.00
19	CS1000881TP	THRUST COLLAR				1.00
20	SM8050412TP	SCREW M5 L=4				2.00
21	13328802	UPPER LOOPER HOLDER				1.00
22	SM6041200SP	SCREW M4 L=12				1.00
23	13329404	UPPER LOOPER				1.00
24	SM6040800SP	SCREW				1.00
25	40078316	DRIVING_ARM				1.00
26	WP0550800SP	WASHER 5.5X10X0.8				1.00
27	NM6050001SP	NUT M5				1.00
28	13329206	BUSHING VERTICAL				1.00
29	13338900	OIL SEAL				1.00
30	WP1022016SH	WASHER				1.00
31	40004573	OIL SEAL				1.00
32	TA0600401R0	PLUG				2.00
33	40078293	PLUG4.6				1.00
34	SM8060412TP	SCREW				1.00
35	13170402	RUBBER RING				1.00

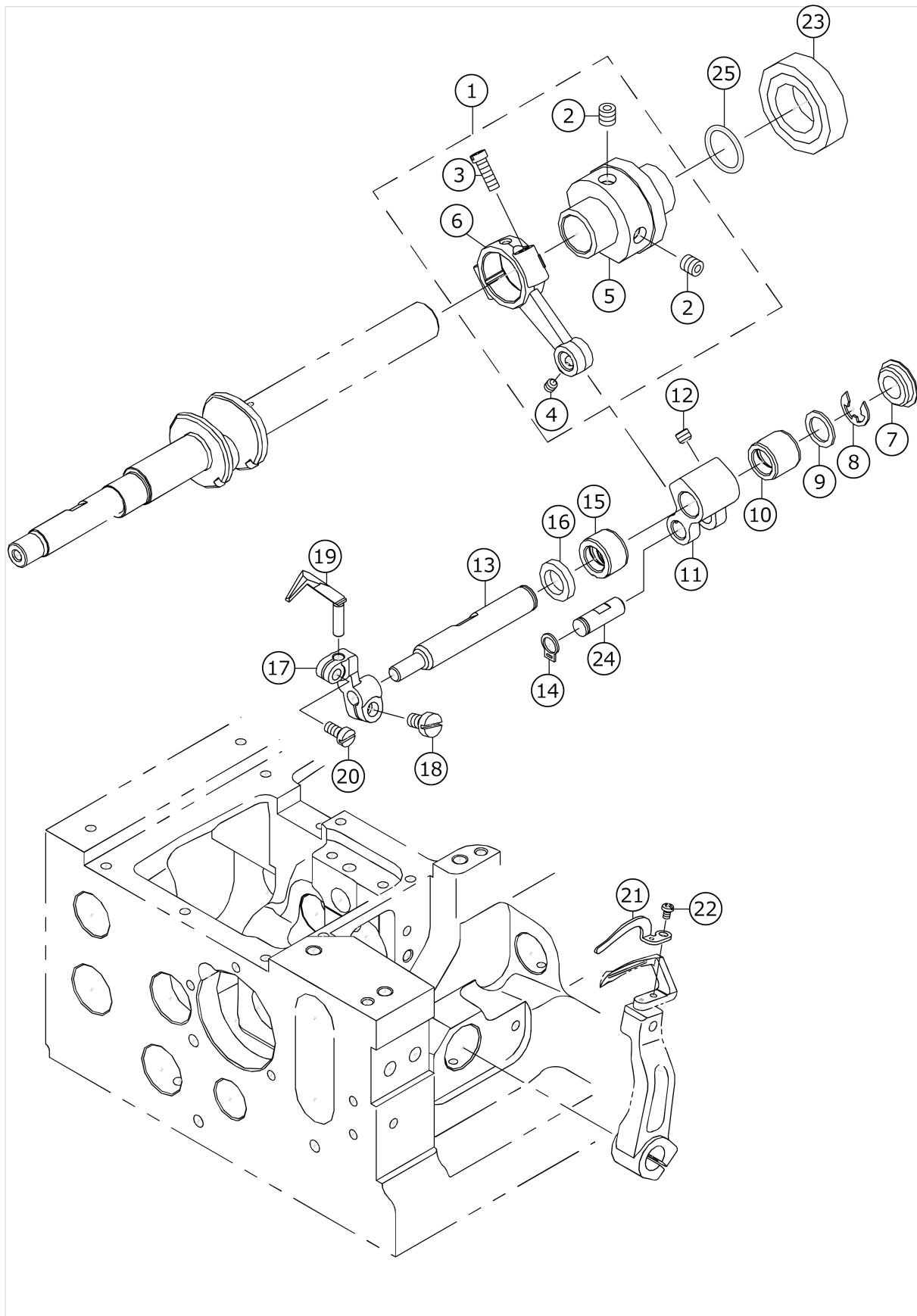
LOWER THREAD CAM COMPONENTS



No.	品番	品名	備考	子部品	消耗品	個数
1	13331202	SPROCKET MAIN T UP				1.00
2	SM8050412TP	SCREW M5 L=4				2.00
3	13332507	BELT TAKE UP A	SELECTIVE PARTS			1.00
4	13333000	BELT TAKE UP B	SELECTIVE PARTS			1.00
5	13333109	BELT TAKE UP C	SELECTIVE PARTS			1.00
6	13331301	SPROCKET TAKE UP				1.00
7	SM8050412TP	SCREW M5 L=4				2.00
8	SB108002100	BEARING				1.00
9	RC2800002KP	RETAINIG PIN				1.00
10	SM1030800SM	SCREW M3X0.5 L=8				1.00
11	13332606	WASHER TAKE UP				1.00
12	13331400	SHAFT TAKE UP				1.00
13	SM4040655SP	SCREW M4 L=6				1.00
14	13333703	EYELET_D				1.00
15	40020538	OIL_SEAL				1.00
16	13331004	BUSHING A TAKE UP				1.00
17	CS1000881TP	THRUST COLLAR				1.00
18	SM8050412TP	SCREW M5 L=4				2.00
19	40023481	BUSHING_B_TAKE_UP				1.00
20	40023441	OIL_SEAL				1.00
21	40019335	ASSY_TAKE_UP				1.00
22	SM8060552TP	SCREW M6 L=5				2.00
23	13332309	BASE TAKE UP PLATE				1.00
24	SL4041281SC	SCREW M4X0.7 L=12				1.00
25	13333208	WASHER				1.00
26	13332903	SPRING				1.00
27	SM4040655SP	SCREW M4 L=6				1.00
28	13332804	BRACKET				1.00
29	SM4040655SP	SCREW M4 L=6				2.00
30	SD0640246SP	HINGE SCREW D=6.35 H=2.4				1.00
31	WZ0641510KP	WAVED WASHER 6.4X11X0.3				1.00
32	WP0410516SD	PLAIN WASHER				1.00
33	13332002	TAKE UP PLATE				1.00
34	40023042	THREAD_GUIDE				1.00
35	13333802	THREAD_CATCHER				1.00
36	WP0280501SC	WASHER M2.6				2.00
37	SM4850455SP	SCREW				2.00
38	13332101	EYELET A				1.00
39	WP0280500SC	WASHER				1.00
40	SM4850455SP	SCREW				1.00
41	13333307	LPR THD DISC UPPER				1.00
42	13333406	LPR THD GUIDE BASE				1.00
43	13333505	TENSION POST				1.00
44	13333604	LOOPER CAM SPRING				1.00
45	NM6030001SN	NUT				1.00
46	WP0280500SC	WASHER				1.00
47	SM4850455SP	SCREW				1.00

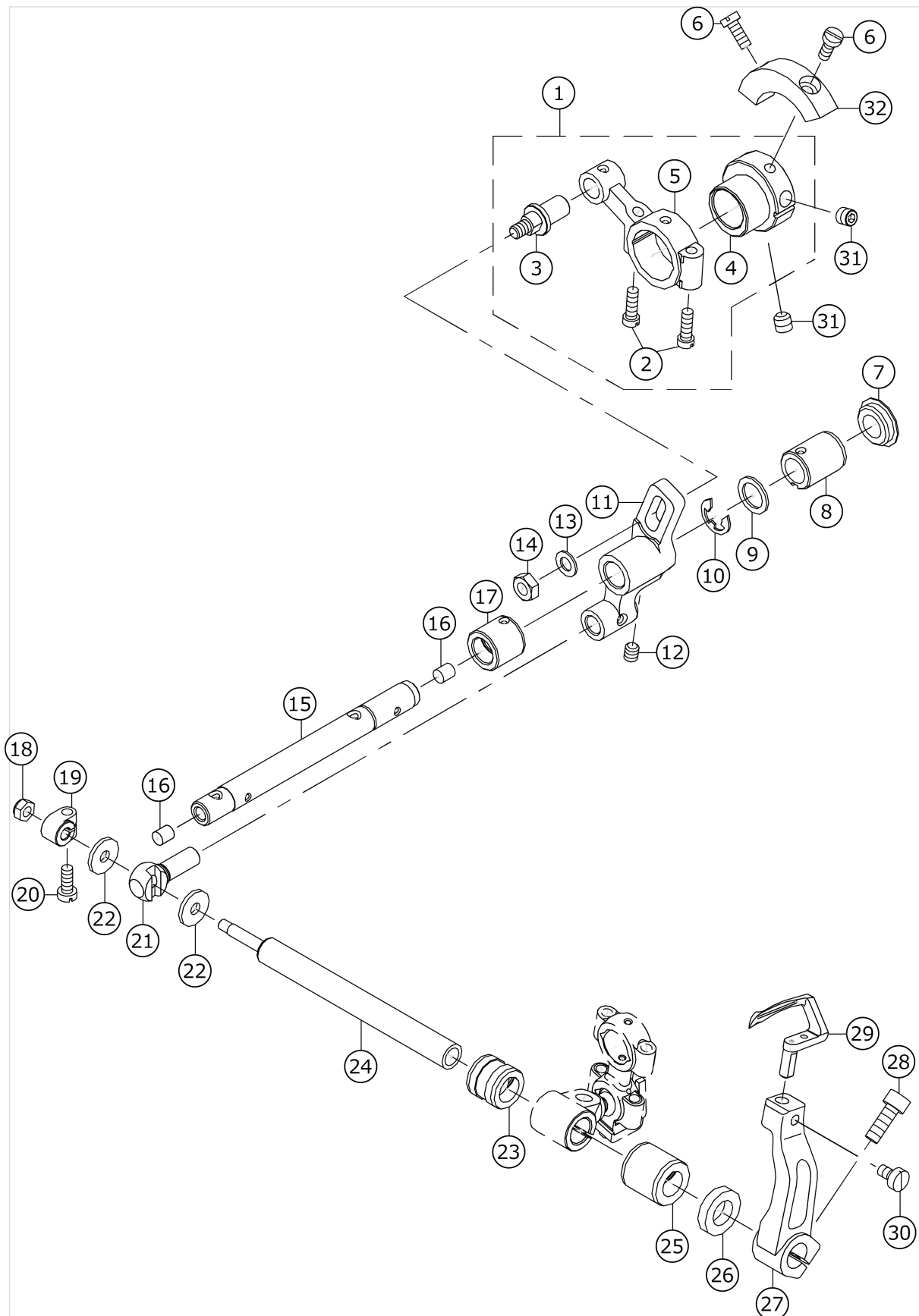
48	13332705	EYELET C				1.00
----	----------	----------	--	--	--	------

NEEDLE GUARD COMPONENTS



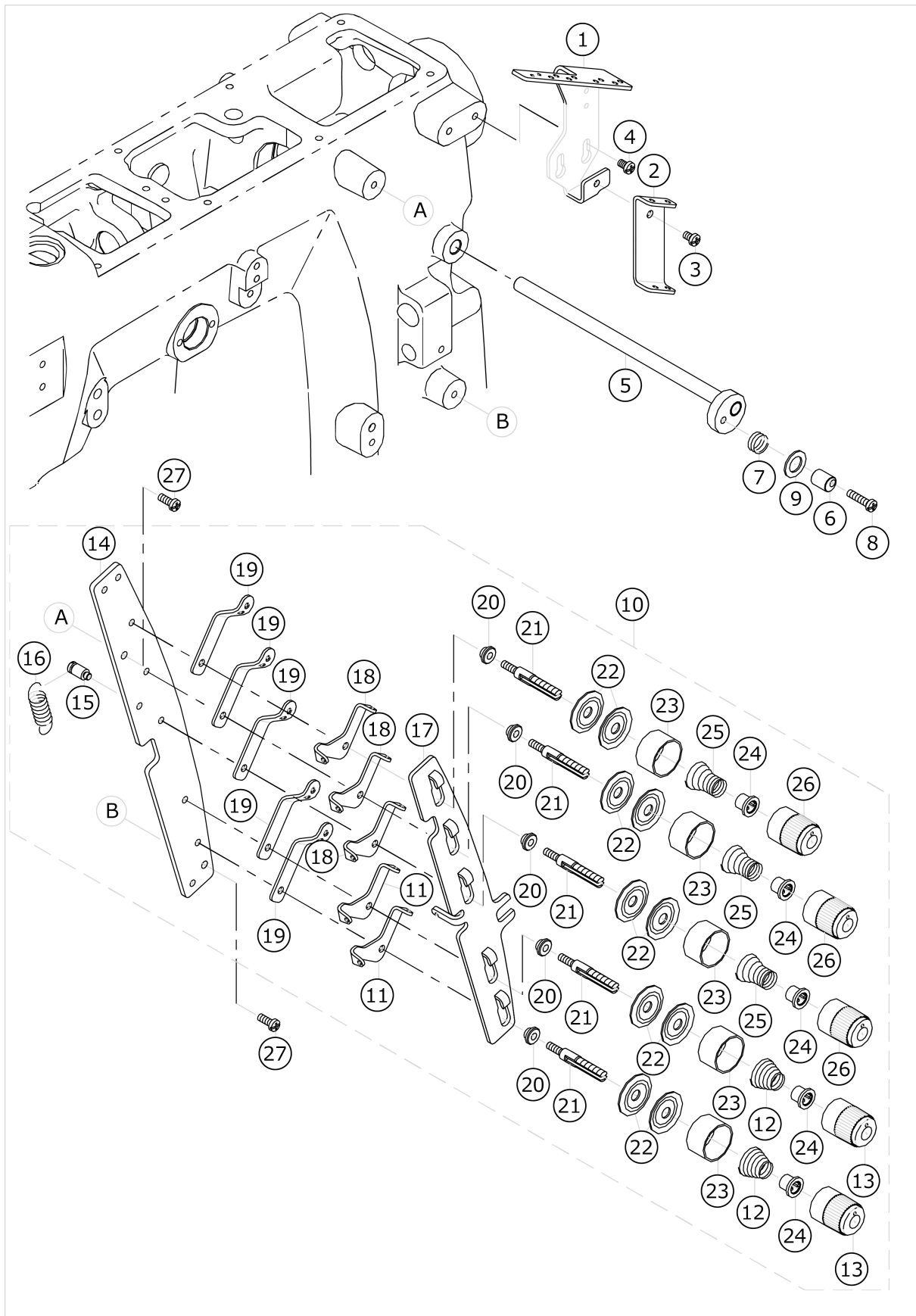
No.	品番	品名	備考	子部品	消耗品	個数
1	40018947	NDL_GUARD_CAM_ASSY				1.00
2	SM8060612TP	SCREW M6 L=6		*		2.00
3	SM6041202TP	SCREW M4X0.7 L=12		*		2.00
4	SM8040412TP	SET SCREW M4 L=4		*		1.00
5	40018923	NDL_GUARD_CAM		*		1.00
6	13334107	NDL GUARD CONN ROD		*		1.00
7	TA1600406R0	PLUG				1.00
8	RE0700000K0	E-RING 7				1.00
9	WP1021026SH	WASHER				1.00
10	13334909	BUSHING NDL GUARD A				1.00
11	13334206	NDL GUARD DRIVE LEVER				1.00
12	SM8050412TP	SCREW M5 L=4				2.00
13	13334404	SHAFT NEEDLE GUARD				1.00
14	RC0650811KP	RETAINING RING				1.00
15	13335005	BUSHING NDL GUARD B				1.00
16	13335203	OIL SEAL				1.00
17	13334503	REAR NDL GUARD HOLDER				1.00
18	SM6050800SP	SCREW M5 L=8				1.00
19	13334602	REAR NDL GUARD				1.00
20	SM6040800SP	SCREW				1.00
21	13334701	FRONT NDL GUARD				1.00
22	SM4850455SP	SCREW				1.00
23	SB120001500	BEARING				1.00
24	13334305	PIN NDL GUARD				1.00
25	RO148240200	RUBBER RING				1.00

LOOPER COMPONENTS



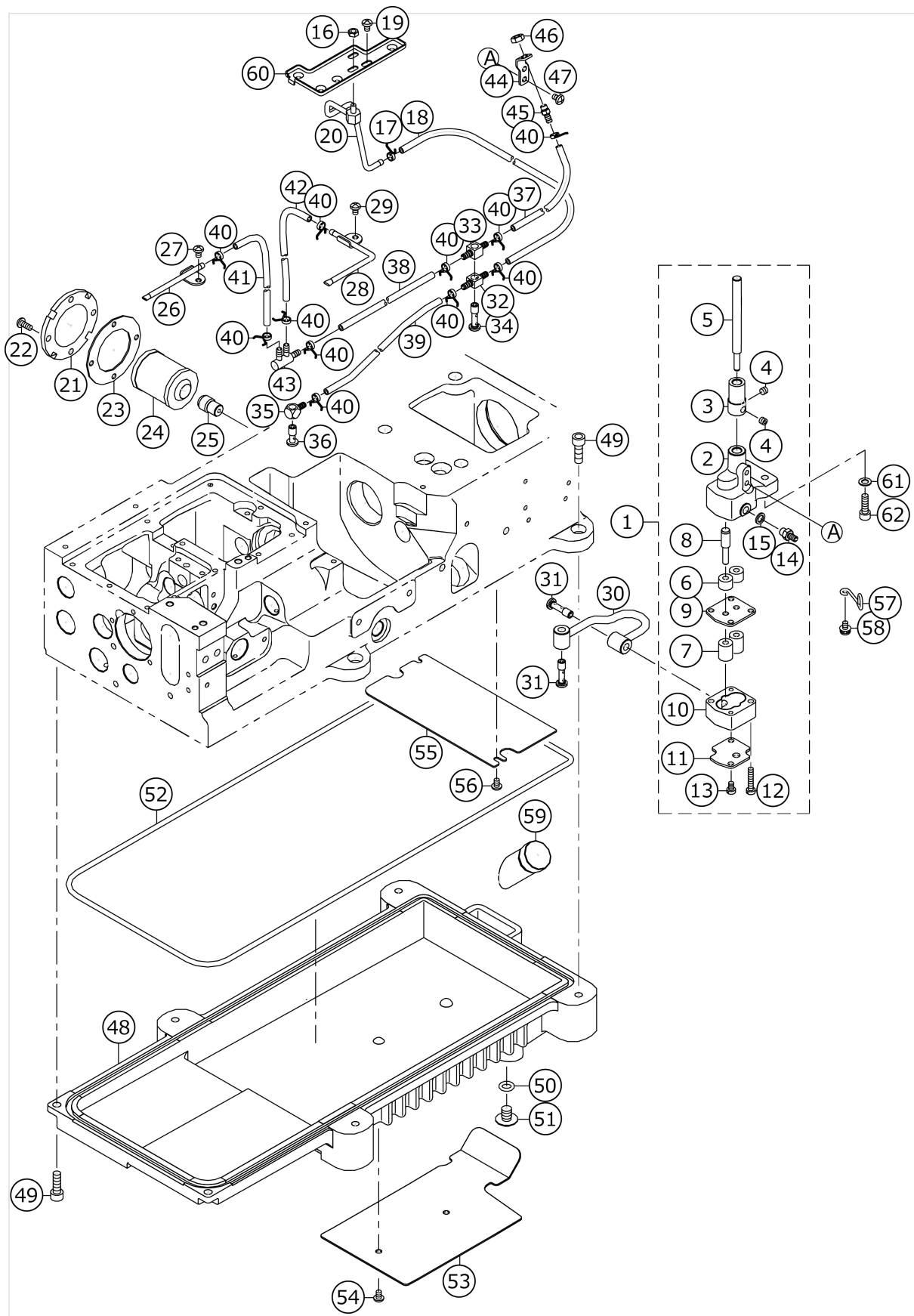
No.	品番	品名	備考	子部品	消耗品	個数
1	13337357	ECC_LOOPER_AVOID_ASSY				1.00
2	SM6041202TP	SCREW M4X0.7 L=12		*		2.00
3	13337506	PIN LOOPER AVOID		*		1.00
4	13337308	ECC LOOPER AVOID		*		1.00
5	13337407	LOOPER ROD AVOID		*		1.00
6	SM6041000SP	SCREW M4 L=10				2.00
7	TA1600406R0	PLUG				1.00
8	13338702	BUSHING LPR RIGHT				1.00
9	WP1021026SH	WASHER				1.00
10	RE0700000K0	E-RING 7				1.00
11	13337605	CRANK LOOPER AVOID				1.00
12	SM8050612TP	SCREW M5X6				1.00
13	WP0550800SP	WASHER 5.5X10X0.8				1.00
14	NM6050001SP	NUT M5				2.00
15	13338504	LOOPER SHAFT AVOID				1.00
16	TA0500601M0	PLUG D=5X5.4 L=6				2.00
17	13338603	BUSHING LPR LEFT				1.00
18	13338306	LOCK NUT				1.00
19	13337704	COLLAR LOOPER AVOID				1.00
20	SM6041000SP	SCREW M4 L=10				1.00
21	13337803	LOOPER AVOID PIN				1.00
22	WP0461516SH	WASHER				2.00
23	13338009	BUSHING LPR SHAFT REAR				1.00
24	13338207	LOOPER SHAFT				1.00
25	13338108	BUSHING LPR SHAFT FRT				1.00
26	13338900	OIL SEAL				1.00
27	13338405	LOOPER HOLDER				1.00
28	SM6051402TP	SCREW M5X0.8 L=14				1.00
29	13337902	LOOPER				1.00
30	SM6040750TP	SCREW M4 L=7				1.00
31	SM8060612TP	SCREW M6 L=6				2.00
32	13338801	BALANCE_WEIGHT_LP				1.00

THREAD TENSION COMPONENTS



No.	品番	品名	備考	子部品	消耗品	個数
1	13340005	THREAD GUIDE PLATE				1.00
2	13340104	THREAD GUIDE				1.00
3	SM4040655SP	SCREW M4 L=6				1.00
4	SM4040655SP	SCREW M4 L=6				2.00
5	13341359	ASSY PULL OFF LEVER				1.00
6	13341409	TENS RELEASE ADJ ECC				1.00
7	13341508	SPRING				1.00
8	SM4041655SP	SCREW M4 L=16				1.00
9	WP0961046SC	WASHER 9.6X16X1				1.00
10	13340252	THREAD TENSION ASSY				1.00
11	13340500	TENSION DISC EYELET		*		2.00
12	B3121804000	TENSION SPRING		*		2.00
13	13341706	KNOB		*		2.00
14	13340203	TENSION POST SUPPORT		*		1.00
15	13340302	SHOULDER SCREW		*		1.00
16	B2008372000	THREAD TENSION SPRING		*		1.00
17	13340401	TENSION DISC SEPARATOR		*		1.00
18	13341607	TENSION_DISC_EYELET_2		*		3.00
19	13340609	THREAD LEAD IN GUIDE		*		5.00
20	13340708	SPACER		*		5.00
21	13340807	TENSION POST		*		5.00
22	22928907	THREAD TENSION DISK		*		10.00
23	13137609	THREAD TENSION DISK PRESSER		*		5.00
24	13137906	SPRING BUSHING		*		5.00
25	13140504	TENSION SPRING		*		3.00
26	13340906	KNOB GREEN		*		3.00
27	SM4041055SP	SCREW				2.00

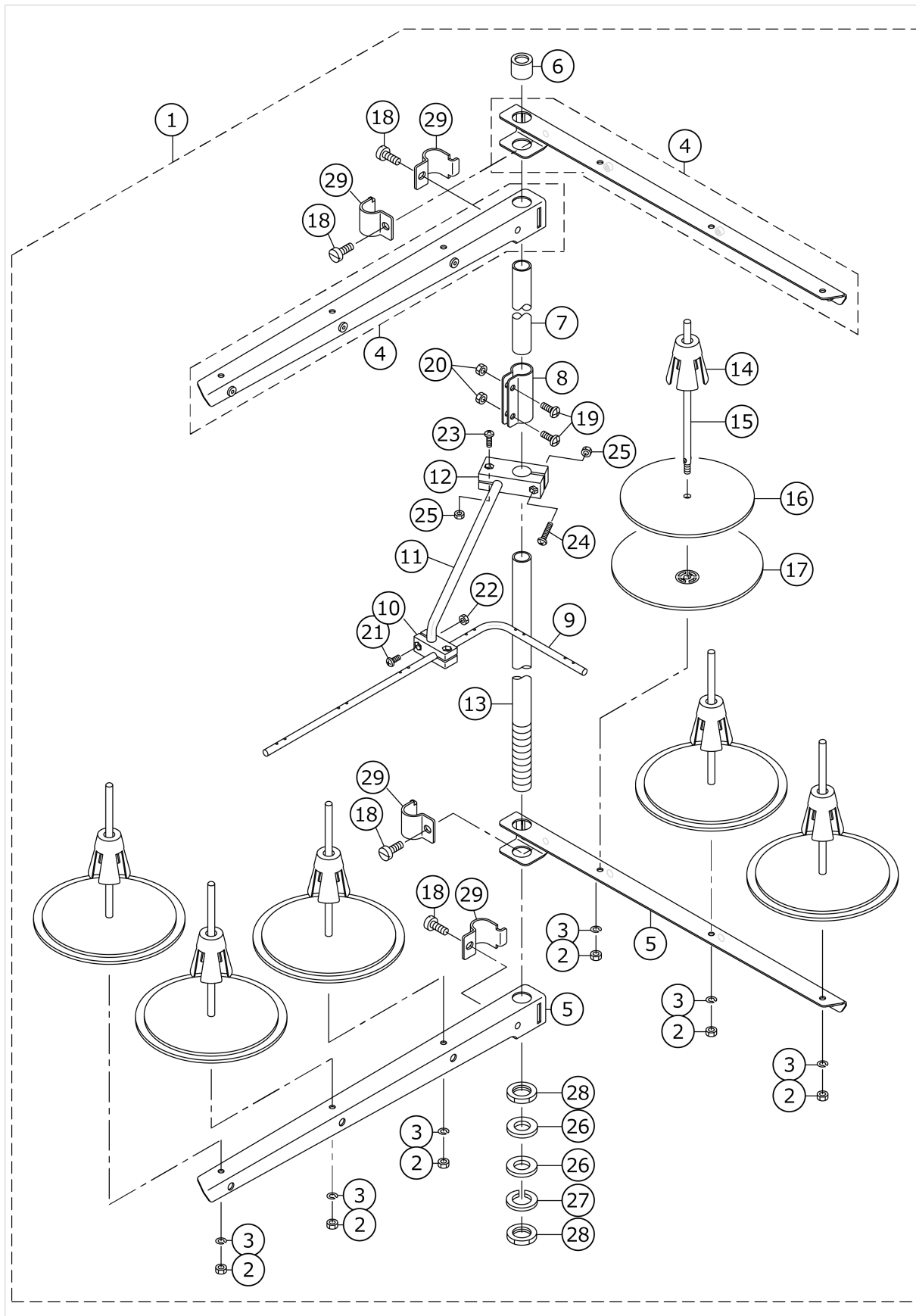
LUBRICATION COMPONENTS



No.	品番	品名	備考	子部品	消耗品	個数
1	13345459	ASSY_PUMP_2-STAGE				1.00
2	13343108	OIL PUMP HOUSING		*		1.00
3	13343009	WORM WHEEL		*		1.00
4	SM8050412TP	SCREW M5 L=4		*		2.00
5	13345400	OIL PUMP SHAFT LARGE		*		1.00
6	13228309	PINION GEAR, SMALL		*		2.00
7	13228200	OIL PUMP PINION, LARGE		*		2.00
8	13227905	GEAR PUMP SHAFT, SMALL		*		1.00
9	13343405	OIL PUMP SPACER		*		1.00
10	13343207	OIL PUMP CASING		*		1.00
11	13343306	OIL PUMP COVER		*		1.00
12	SM6042000SP	SCREW		*		2.00
13	SM6040600SP	SCREW M4 L=6		*		2.00
14	SQ2060451MZ	CONNECTING SCREW		*		1.00
15	40004749	GASKET		*		1.00
16	NM6040001SP	NUT M4X0.7				1.00
17	23629306	PIPE STOPPER A				1.00
18	BP30000010R	VINYL PIPE				0.50
19	SM4040655SP	SCREW M4 L=6				2.00
20	13345053	ASSY_OIL_SUPPLY_FOR_TOP				1.00
21	13345202	FILTER_COVER				1.00
22	SM4041055SP	SCREW				4.00
23	13344809	GASKET O				1.00
24	13142500	CARTRIDGE FILTER				1.00
25	13343801	FITTING FILTER				1.00
26	13346556	ASSY_OIL_SUPPLY				1.00
27	SM4040655SP	SCREW M4 L=6				1.00
28	13345855	OIL SUPPLY ASSY				1.00
29	SM4040655SP	SCREW M4 L=6				1.00
30	13346259	ASSY_OIL_PIPE				1.00
31	SQ2060442SD	CONNECTING SCREW				2.00
32	SQ0000454MZ	CONNECTING SCREW				1.00
33	SQ0000453MZ	CONNECTING SCREW				1.00
34	SQ2060442SD	CONNECTING SCREW				1.00
35	SQ0000452MZ	CONNECTING SCREW				1.00
36	SQ2060441SD	CONNECTING SCREW				1.00
37	BP30000010R	VINYL PIPE				0.14
38	BP30000010R	VINYL PIPE				0.12
39	BP30000010R	VINYL PIPE				0.19
40	23629306	PIPE STOPPER A				11.00
41	BP30000010R	VINYL PIPE				0.13
42	BP30000010R	VINYL PIPE				0.11
43	23629504	DISTRIBUTOR				1.00
44	13346705	CONNECTING_SCR_BRACKET				1.00
45	SQ2050452MZ	CONNECTING SCREW				1.00
46	NM6050001SP	NUT M5				1.00
47	SM4040655SP	SCREW M4 L=6				2.00
48	13345509	OIL PAN				1.00
49	SM6061802TP	SCREW M6 L=18				6.00
50	13170105	RUBBER RING				1.00

51	SM0081001SD	SCREW				1.00
52	13345608	O RING				1.00
53	13346309	BREEZE_PLATE				1.00
54	SM4040655SP	SCREW M4 L=6				2.00
55	13345905	COVER PLATE				1.00
56	SM4040655SP	SCREW M4 L=6				2.00
57	13346606	OIL_TUBE HOLDER				1.00
58	SL4040805SC	SCREW				1.00
59	13346101	OIL SIGHT GAUGE				1.00
60	40083514	OIL SAUCER				1.00
61	WP0550800SP	WASHER 5.5X10X0.8				2.00
62	SM6051602TP	SCREW M5X0.8 L=16				2.00

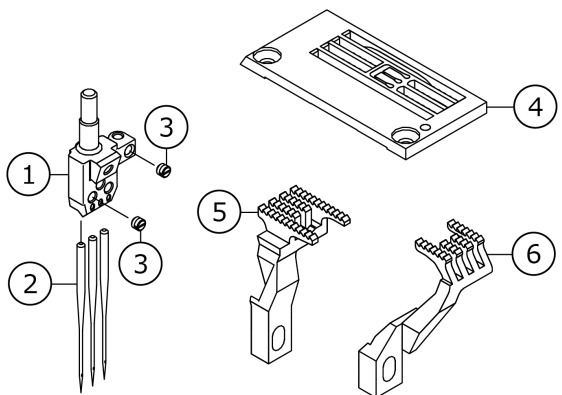
THREAD STAND COMPONENTS



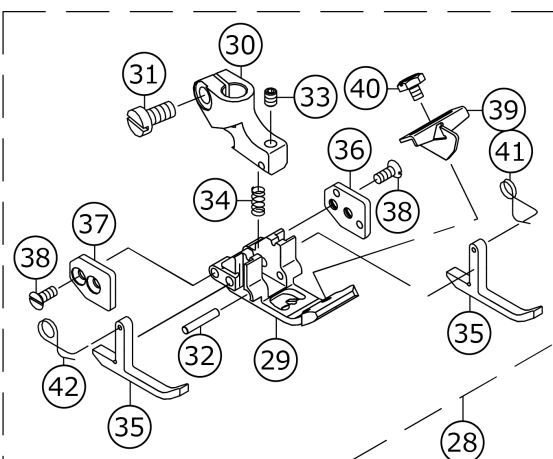
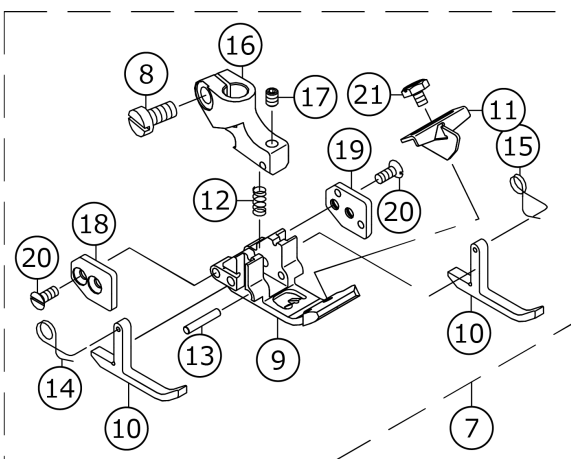
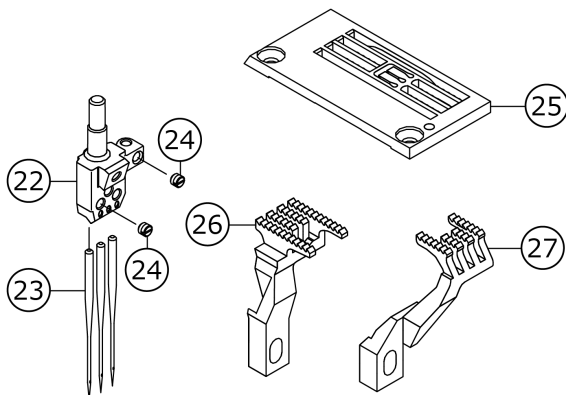
No.	品番	品名	備考	子部品	消耗品	個数
1	13168653	THREAD STAND ASM.				1.00
2	NM6050001SE	NUT M5		*		6.00
3	WS0510002KN	SPRING WASHER		*		6.00
4	13168356	THREAD STANDING ARM ASM. ,LONG		*		2.00
5	13168307	THREAD STANDING ARM ,LONG		*		2.00
6	22931406	THREAD STANDING ROD RUBBER CAP		*		1.00
7	22930408	THREAD STANDING ROD, UPPER		*		1.00
8	22931307	THREAD STANDING ROD JOINT		*		1.00
9	13167903	THREAD GUIDE		*		1.00
10	13168000	THREAD GUIDE BASE, LOWER		*		1.00
11	13168109	THREAD GUIDE ARM		*		1.00
12	13168208	THREAD GUIDE ARM BASE		*		1.00
13	22930309	THREAD STANDING ROD, LOWER		*		1.00
14	22931109	SPOOL RETAINER		*		6.00
15	22931000	SPOOL PIN		*		6.00
16	22930903	SPOOL REST CUSHION		*		6.00
17	22930804	SPOOL REST		*		6.00
18	SM6061610SC	SCREW M6 L=16		*		4.00
19	SM4051405SE	SCREW M5 L=14		*		2.00
20	NM6050001SE	NUT M5		*		2.00
21	SM4041001SC	SCREW M4X0.7 L=10		*		2.00
22	NM6040002SE	NUT M4X0.7		*		2.00
23	SM4041201SC	SCREW M4 L=12		*		1.00
24	SM4042001SC	SCREW M4 X 20		*		1.00
25	NM6040002SE	NUT M4X0.7		*		2.00
26	WP1612616SE	WASHER 16X30X2.6		*		2.00
27	WS1643202KR	SPRING WASHER		*		1.00
28	NM6160511SE	NUT M16X1.5		*		2.00
29	22930705	THREAD GUIDE ARM JOINT		*		4.00

GAUGE PARTS COMPONENTS (1) (FOR MF-7700D-U10)

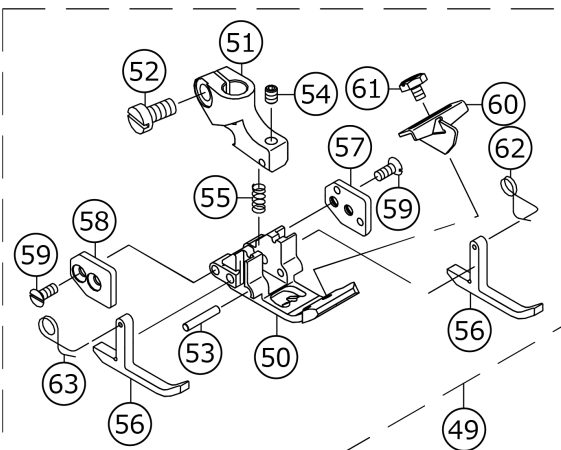
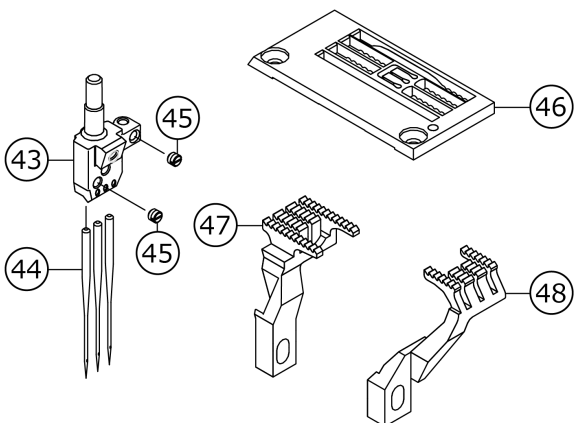
MF-7723-U10-B48



MF-7723-U10-B56
MF-7723D-U10-B56



MF-7723-U10-B64
MF-7723D-U10-B64



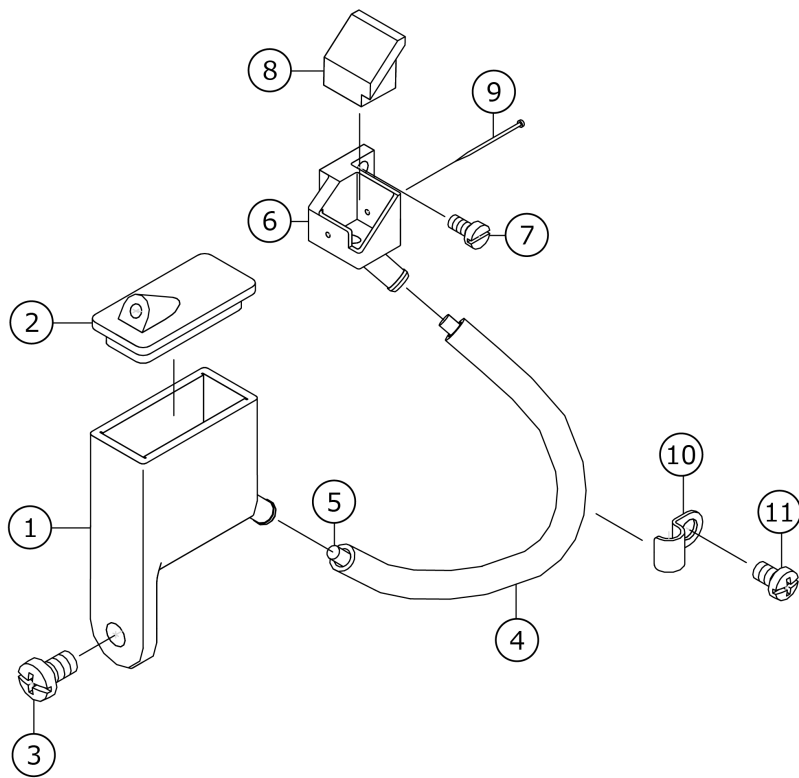
No.	品番	品名	備考	子部品	消耗品	個数
1	13350202	NEEDLE_HEAD_48				1.00
2	MUY128S1000	NEEDLE UYX128GAS #10				3.00
3	SM8030350TP	SCREW				4.00
4	40040514	THROAT PLATE				1.00
5	13354204	MAIN FEED DOG				1.00
6	13358304	DIFF_FEED_DOG				1.00
7	13376058	PRESSER_FOOT_ASSY				1.00
8	SM6040800SP	SCREW		*		1.00
9	13376009	PRESSER_FOOT_BOTTOM		*		1.00
10	13375100	P_F_YIELDING_SECTION		*		2.00
11	13376900	PRESSER_FOOT_GUIDE		*		1.00
12	13377106	SPRING		*		1.00
13	13375209	PIVOT_PIN		*		1.00
14	13375308	SPRING_L		*		1.00
15	13375407	SPRING_R		*		1.00
16	13375506	PRESSER_FOOT_HINGE		*		1.00
17	SM8030412TP	SCREW		*		1.00
18	13375605	GUIDE_PLATE_L		*		1.00
19	13375704	GUIDE_PLATE_R		*		1.00
20	SM1850600SP	SCREW		*		4.00
21	13377007	SCREW		*		1.00
22	13350301	NEEDLE_HEAD_56				1.00
23	MUY128S1000	NEEDLE UYX128GAS #10				3.00
24	SM8030350TP	SCREW				4.00
25	40040515	THROAT PLATE				1.00
26	13354204	MAIN FEED DOG				1.00
27	13358304	DIFF_FEED_DOG				1.00
28	13375050	PRESSER_FOOT_ASSY				1.00
29	13375001	PRESSER_FOOT_BOTTOM		*		1.00
30	13375506	PRESSER_FOOT_HINGE		*		1.00
31	SM6040800SP	SCREW		*		1.00
32	13375209	PIVOT_PIN		*		1.00
33	SM8030412TP	SCREW		*		1.00
34	13377106	SPRING		*		1.00
35	13375100	P_F_YIELDING_SECTION		*		2.00
36	13375704	GUIDE_PLATE_R		*		1.00
37	13375605	GUIDE_PLATE_L		*		1.00
38	SM1850600SP	SCREW		*		4.00
39	13376900	PRESSER_FOOT_GUIDE		*		1.00
40	13377007	SCREW		*		1.00
41	13375407	SPRING_R		*		1.00
42	13375308	SPRING_L		*		1.00
43	13350400	NEEDLE_HEAD_64				1.00
44	MUY128S1000	NEEDLE UYX128GAS #10				3.00
45	SM8030350TP	SCREW				4.00
46	40040513	THROAT PLATE				1.00
47	13353701	MAIN_FEED_DOG				1.00
48	13357603	DIFF_FEED_DOG				1.00
49	13375050	PRESSER_FOOT_ASSY				1.00
50	13375001	PRESSER_FOOT_BOTTOM		*		1.00

51	13375506	PRESSER_FOOT_HINGE		*		1.00
52	SM6040800SP	SCREW		*		1.00
53	13375209	PIVOT_PIN		*		1.00
54	SM8030412TP	SCREW		*		1.00
55	13377106	SPRING		*		1.00
56	13375100	P_F_YIELDING_SECTION		*		2.00
57	13375704	GUIDE_PLATE_R		*		1.00
58	13375605	GUIDE_PLATE_L		*		1.00
59	SM1850600SP	SCREW		*		4.00
60	13376900	PRESSER_FOOT_GUIDE		*		1.00
61	13377007	SCREW		*		1.00
62	13375407	SPRING_R		*		1.00
63	13375308	SPRING_L		*		1.00

No.	品番	品名	備考	子部品	消耗品	個数
1	13350103	NEEDLE_HEAD_40				1.00
2	MUY128S1000	NEEDLE UYX128GAS #10				2.00
3	SM8030350TP	SCREW				3.00
4	13351408	THROAT_PLATE				1.00
5	13353800	MAIN_FEED_DOG				1.00
6	13357702	DIFF_FEED_DOG				1.00
7	13376157	PRESSER_FOOT_ASSEMBLY				1.00
8	13376108	PRESSER_FOOT_BOTTOM		*		1.00
9	13376355	YIELDING_SECTION_ASSEMBLY		*		1.00
10	13376306	YIELDING_SECTION		*		1.00
11	13377205	YIELDING_SECTION_SHANK		*		1.00
12	13377304	PIVOT_PIN		*		1.00
13	13376405	PRESSER_FOOT_GUIDE		*		1.00
14	SM6030350SD	SCREW M3 L=2.9		*		1.00
15	13376504	PRESSER_FOOT_SHANK		*		1.00
16	SM7040800SL	SCREW		*		1.00
17	13376603	YIELDING_SECTION_SPRING		*		1.00
18	13376702	THREAD_SPRING_SCREW		*		1.00
19	SM4030455SP	SCREW		*		1.00
20	PH0300164C0	PARALLEL PIN 3X16		*		1.00
21	SM8030500SP	SCREW		*		1.00
22	13376801	SCREW_FOR_PRESSER_FOOT		*		1.00
23	NM6030001SD	NUT M3X0.5		*		1.00
24	13350301	NEEDLE_HEAD_56				1.00
25	MUY128S1000	NEEDLE UYX128GAS #10				3.00
26	SM8030350TP	SCREW				4.00
27	13351606	THROAT_PLATE				1.00
28	13353909	MAIN_FEED_DOG				1.00
29	13357801	DIFF_FEED_DOG				1.00
30	13376256	PRESSER_FOOT_ASSEMBLY				1.00
31	13376207	PRESSER_FOOT_BOTTOM		*		1.00
32	13376355	YIELDING_SECTION_ASSEMBLY		*		1.00
33	13376306	YIELDING_SECTION		*		1.00
34	13377205	YIELDING_SECTION_SHANK		*		1.00
35	13377304	PIVOT_PIN		*		1.00
36	13376405	PRESSER_FOOT_GUIDE		*		1.00
37	SM6030350SD	SCREW M3 L=2.9		*		1.00
38	13376504	PRESSER_FOOT_SHANK		*		1.00
39	SM7040800SL	SCREW		*		1.00
40	13376603	YIELDING_SECTION_SPRING		*		1.00
41	13376702	THREAD_SPRING_SCREW		*		1.00
42	SM4030455SP	SCREW		*		1.00
43	PH0300164C0	PARALLEL PIN 3X16		*		1.00
44	SM8030500SP	SCREW		*		1.00
45	13376801	SCREW_FOR_PRESSER_FOOT		*		1.00
46	NM6030001SD	NUT M3X0.5		*		1.00
47	13350400	NEEDLE_HEAD_64				1.00
48	MUY128S1000	NEEDLE UYX128GAS #10				3.00
49	SM8030350TP	SCREW				4.00
50	13351705	THROAT_PLATE				1.00

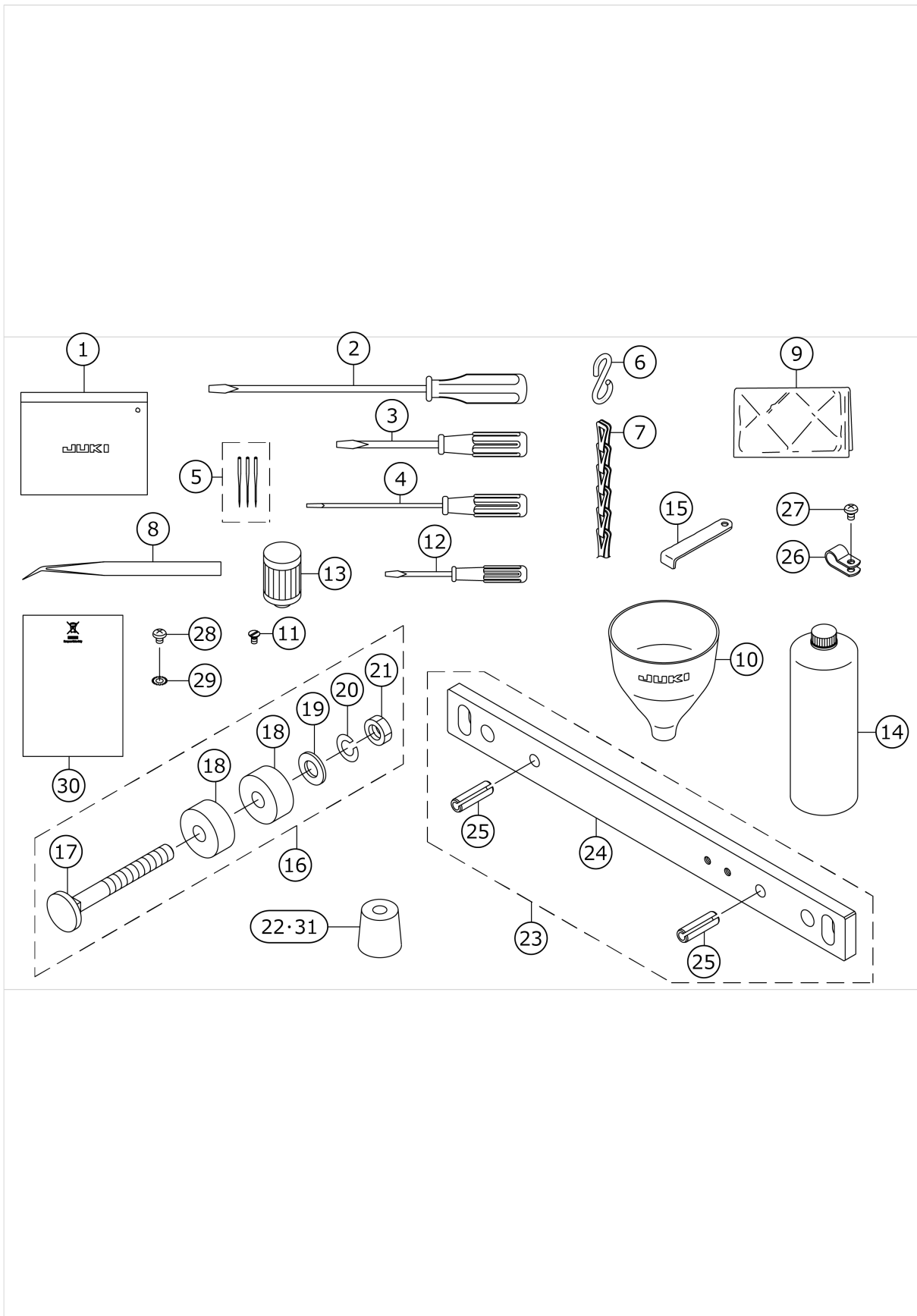
51	13353909	MAIN_FEED_DOG				1.00
52	13357801	DIFF_FEED_DOG				1.00
53	13376256	PRESSER_FOOT_ASSEMBLY				1.00
54	13376207	PRESSER_FOOT_BOTTOM		*		1.00
55	13376355	YIELDING_SECTION_ASSEMBLY		*		1.00
56	13376306	YIELDING_SECTION		*		1.00
57	13377205	YIELDING_SECTION_SHANK		*		1.00
58	13377304	PIVOT_PIN		*		1.00
59	13376405	PRESSER_FOOT_GUIDE		*		1.00
60	SM6030350SD	SCREW M3 L=2.9		*		1.00
61	13376504	PRESSER_FOOT_SHANK		*		1.00
62	SM7040800SL	SCREW		*		1.00
63	13376603	YIELDING_SECTION_SPRING		*		1.00
64	13376702	THREAD_SPRING_SCREW		*		1.00
65	SM4030455SP	SCREW		*		1.00
66	PH0300164C0	PARALLEL PIN 3X16		*		1.00
67	SM8030500SP	SCREW		*		1.00
68	13376801	SCREW_FOR_PRESSER_FOOT		*		1.00
69	NM6030001SD	NUT M3X0.5		*		1.00

NEEDLE COOLING MECHANISM COMPONENTS



No.	品番	品名	備考	子部品	消耗品	個数
1	13348107	SILICONE OIL TANK				1.00
2	13163001	TANK COVER				1.00
3	SM4050855SP	SCREW				1.00
4	BT0600402EA	OIL TUBE				0.15
5	CQ303000000	OIL WICK				0.30
6	13348206	SILICONE OIL CUP				1.00
7	SM6030600SP	SCREW M3X0.5 L=6				2.00
8	13348305	FELT				1.00
9	11856101	NEEDLE COOLER PIN				1.00
10	B3538112000	OIL RETURN TUBE HOLDER				1.00
11	SM4040655SP	SCREW M4 L=6				1.00

ACCESSORIES PARTS COMPONENTS



No.	品番	品名	備考	子部品	消耗品	個数
1	22932800	ACCESSORIE BAG				1.00
2	22933006	SCREW DRIVER,LARGE				1.00
3	22933105	SCREW DRIVER,MIDDLE				1.00
4	12347308	SCREW DRIVER (SMALL)				1.00
5	MUY128S1003	NEEDLE UYX128GAS #10-3				1.00
6	13160304	S SHAPED HOOK				2.00
7	26037903	CHAIN				1.00
8	12288403	TWEEZERS				1.00
9	22933303	VINYL COVER				1.00
10	13160601	FUNNEL				1.00
11	13302203	SCREW				1.00
12	22933204	SCREW DRIVER,SMALL				1.00
13	13142500	CARTRIDGE_FILTER				1.00
14	MML018900CA	JUKI MACHINE OIL 18				1.00
15	B9101490000	DRIVER				1.00
16	13348958	ASSY_BOLT				4.00
17	13348909	BOLT		*		1.00
18	13349006	SPACER		*		2.00
19	WP1102016SC	WASHER 11X21X2		*		1.00
20	WS1002560KR	SPRING WASHER 10X18X2.5		*		1.00
21	NM6100003SC	NUT M10		*		1.00
22	13155403	DUST-PROOF RUBBER				3.00
23	13348859	SUPPORT_PLATE_ASSY				2.00
24	13348800	SUPPORT PLATE		*		1.00
25	PS0800252KP	SPRING PIN		*		2.00
26	HX00150000C	CABLE CLIP				1.00
27	SM4040655SP	SCREW M4 L=6				1.00
28	WT0430002KN	WASHER M4				1.00
29	SM4040501SN	SCREW M4X0.7 L=5				1.00
30	CM600100201	WEEE INFORMATION SHEET				1.00
31	40072505	ISOLATOR				1.00

HOW TO MAKE USE OF THIS PARTS LIST

1.As to "#01" and "#02" refer to the "Note" given at the bottom of the respective pages.

2.Codes on the "Qty" column

- Each numeral indicates the number of parts required.
- "0.1" and "2.5" indicate the length (in meters) of the respective parts.

3.Parentheses mean that the corresponding part is a subpart that constructs an assembly part.

4.Dotted lines on the Figures indicate assembly parts.

1. リストページの# 0 1、# 0 2の印は、ページ下の“注記”の説明を参照下さい。
2. 数量欄の数字は、個数を表し、0. 1、2. 5等の数値は、長さ（単位メートル）を表します。
3. 数量欄の（ ）は、組部品を構成している子部品であることを意味します。
4. イラストページの-----枠は、組構成であることを意味します。